



**WACKER
NEUSON**
all it takes!

Dumpers

Wheel dumpers, Dual View dumpers,
and track dumpers



Your reliable solution provider

We offer customers worldwide a comprehensive product range of construction machines and equipment, spare parts and services. Since the beginnings of our company in 1848, the Wacker Neuson brand has stood for reliability and innovative strength. Companies in the main construction industry, gardening and landscaping, industry and municipalities, among other sectors, rely on the innovative solutions from Wacker Neuson.

Wacker Neuson – **all it takes!**



Our services

When you need us, we are there. We not only advise you during the purchase of a machine, but also afterwards. You can trust our expert and quick support. Find out about our extensive services for construction machines and construction equipment. With our Comprehensive Sales and Service network, we are always close by.

Experience more:
wackerneuson.com/services



Contents.

Wheel dumpers

DW15e	4
1001, 1501, 1601	8
DW20, DW30, DW40	12
DW50	22
DW60, DW90	26

Dual View dumpers

DV45	18
DV60, DV90, DV100	32
Active Sense Control (ASC)	38

Skip and platform versions **40**

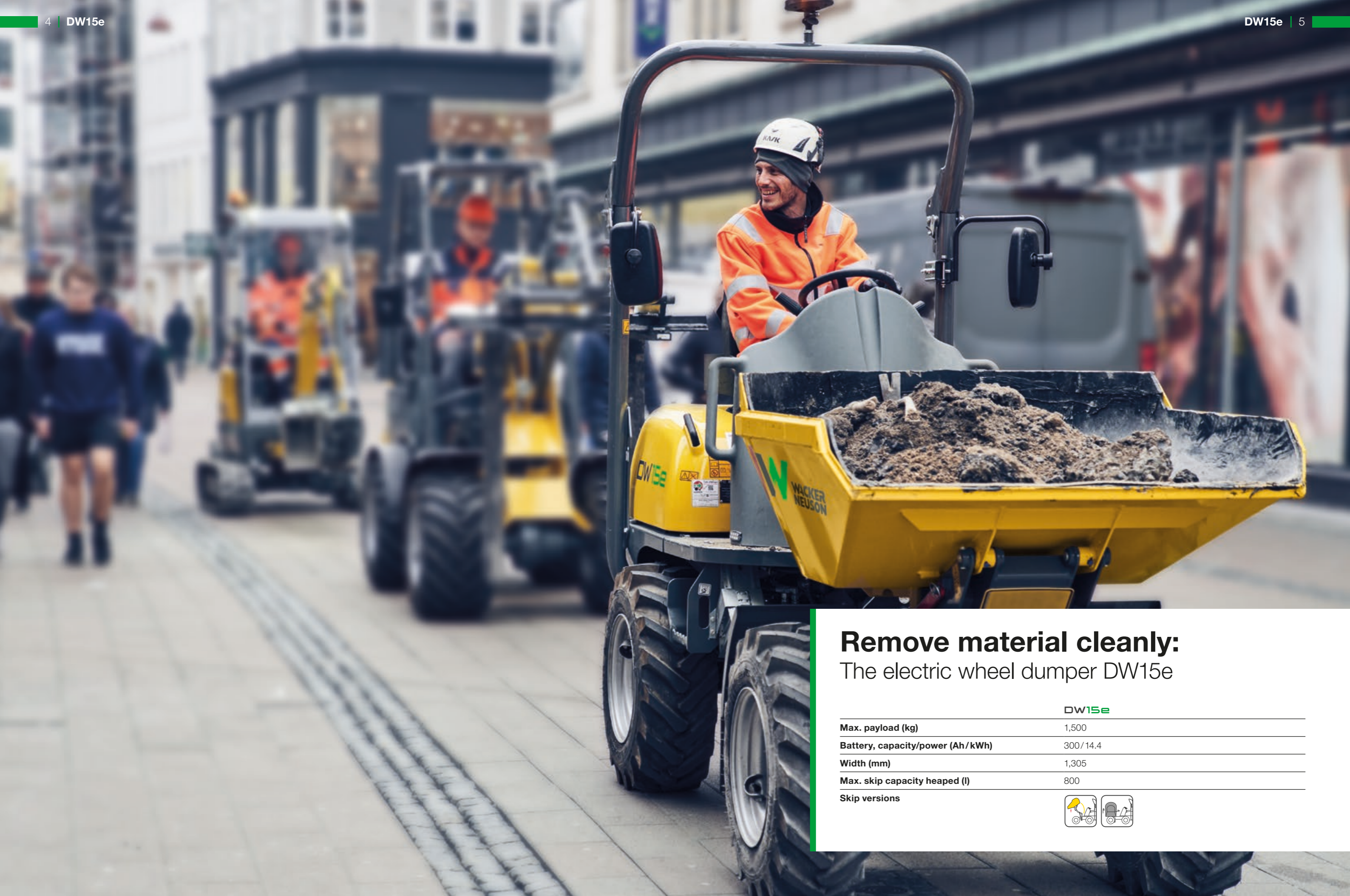
Configuration options, Dimensions, Technical data **41**

Track dumpers

DT05e, DT10e	50
DT05, DT08, DT10, DT12, DT15, DT23	52

Skip and platform versions **56**

Configuration options, Dimensions, Technical data **58**



Remove material cleanly: The electric wheel dumper DW15e

	DW15e
Max. payload (kg)	1,500
Battery, capacity/power (Ah/kWh)	300/14.4
Width (mm)	1,305
Max. skip capacity heaped (l)	800
Skip versions	



Electric wheel dumper DW15e:

Transport material completely emission-free.



Electric drive system.

Simply start and drive away: Thanks to the electrical drive system, no frequent gear changing is needed and the operator can focus on his task. At the same time the drive system and the working hydraulics can be operated independently of each other.

Entry and exit on both sides.

The two-side assigned entry and exit are very practical and allow the operator to move the machine into any position with the ability to leave it. The 3-point contact also adds to the safety of the operator.



Unlimited performance.

The electric drive system is every bit equal to the common drive system of a diesel engine. Additionally, the machine has very low noise emissions due to the e-drive. Due to this, there are new application areas available in emission-sensitive environments, like for example, at inner-city nighttime construction sites.

Chargeable at a normal 220 V socket.

With only 8 hours maximum charge time, the machine can easily be charged overnight at an outlet and is ready to use in the morning again with a full battery. The installed charging cable for a 220-V-plug is securely stored on the machine, the machine can therefore be loaded spontaneously anywhere.

Efficiency

- Drive without shifting gears
- Energy recovery during braking process or driving downhill
- Significantly lower operating costs than conventional machines
- Easy service and maintenance access

Performance

- Same performance as conventional machines
- Articulated pendulum joint
- All-wheel drive system

Environmental-friendliness

- No exhaust emissions, very low noise pollution
- Comprehensive end user and environmental protection

Versatility

- Chargeable at a normal 220 V socket
- Electric drive system








Comfort

- Entry and exit on both sides
- Battery charger on the machine





Compact, safe and versatile: Wheel dumpers 1001, 1501, 1601

	1001	1501	1601
Max. payload (kg)	1,000	1,500	1,500
Engine output (kW/hp)	18.9/25.7	18.9/25.7	18.9/25.7
Width (mm)	1,180	1,305	1,305
Max. skip capacity heaped (l)	525	800	1,044
Skip versions	 	 	  

Wheel dumpers 1001, 1501, 1601: All-rounders with many functions.



Swivel tip skip.

The large swivel tip skip with a wide variety of uses allows unloading in all directions, perfect for lateral filling or also leveling when transporting liquids on gradients.



Small dimensions.

The compact dimensions of the 1001, 1501, and 1601 wheel dumpers are ideally suited for maneuvering and working in confined spaces.



Articulated pendulum joint.

The articulated pendulum joint adapts to all uneven terrain on the construction site. The operator immediately senses a change in the position and can keep the machine under control. As a result, the machines are stable in any situation.



Twin-Lock 4-wheel drive system.

The low-maintenance, variable Twin-Lock 4-wheel drive makes working rough ground conditions easy. Each of the four wheels has its own hydraulic motor so the power is always optimally distributed.

Comfort

- Large control stand
- Entry and exit on both sides

Performance

- Articulated pendulum joint
- Twin-Lock 4-wheel drive system

Efficiency

- Small dimensions
- Drive without shifting gears
- 3-cylinder Yanmar turbo diesel engine (1501)
- Easy service and maintenance access

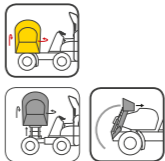
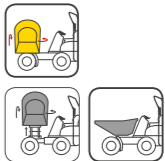

Versatility

- High tip skip
- Swivel tip skip (1501/1601)
- High ground clearance





Material transport made easy: The wheel dumpers DW20, DW30, DW40

	DW20	DW30	DW40
Max. payload (kg)	2,000	3,000	4,000
Engine output (kW / hp)	18.9 / 25.7	18.9 / 25.7	36 / 45.3
Width (mm)	1,497	1,730	1,780
Max. skip capacity heaped (l)	1,500	1,800	2,300
Skip versions			

Even safer. Even more comfortable.

An overview of the DW20, DW30, and DW40 features.

Versatility

- Optional high swivel tip skip with tilt sensor (DW20, DW30)

Safety

- Hydrostatic 4-wheel drive
- Cameras incl. washing system in both directions of travel
- Tilt and skip monitoring
- Seat belt monitoring
- Hill hold function
- Automatic brake lights with hydrostatic braking function (DW20, DW30)

Performance

- Articulated pendulum joint
- Gradeability 50%
- Cruise control (DW30, DW40)



Comfort

- Clearly arranged instrument panel with joystick operation
- ROPS bar with gas-pressure dampers or spacious cabin (DW30, DW40)
- Lots of legroom and storage options
- Entry and exit on both sides (also available in signal color)

Maintenance

- Easy service and maintenance access
- Extended maintenance intervals
- Toolbox on one or both sides

Efficiency

- Small dimensions
- High ground clearance
- Variable speed up to 25 km/h (15.5 mph)
- Auto-stop function

Wheel dumpers DW20, DW30, DW40:

High level of comfort, maximum safety, and intuitive operation.



Spacious, comfortable cab.

The optional cabin of the DW30 and DW40 ensures a comfortable and safe working environment in any weather. With an extensive standard equipment and a variety of available options, the operator has the option of a comfortable all-round package.

Extended maintenance intervals.

The long maintenance intervals of 500 operating hours make additional cost savings possible due to fewer service and maintenance intervals divided over the entire use.

Hydrostatic 4-wheel drive.

With the hydrostatic 4-wheel drive, the operator can concentrate on his work without frequent gear shifting. A continuously constant tractive force from zero to maximum speed and the

hydrostatic brake effect provide for a comfortable driving experience. An automatic ECO mode is also available for the DW40 wheel dumper.



Sturdy skip guard.

The skip guard protects the operator and the cabin against falling materials. It provides for additional safety even during loading. The protective skip guard was designed and tested for this, based on ISO 10262, front protective grating Level 2.

Tilt and skip monitoring.

The installed tilt monitoring indicates an unsafe position when operating the skip, it does this both visually and acoustically. Skip monitoring reduces the speed of the machine if the skip is not in the starting position.



Auto-stop function.

The installed auto-stop function turns the machine off automatically after five minutes without use. This period of time can be adjusted and the operator is notified visually and acoustically before switching off. As a result, both the engine running time and the exhaust emissions are reduced.



Nothing that you can't see.

Cameras in all directions of travel with washing systems, additional mirrors and a generous field of vision make every area around the machine optimally visible.



Dual View becomes Multi View:

The new Dual View wheel dumper DV45

	DV45
Max. payload (kg)	4,200
Engine output (kW / hp)	36 / 45.3
Width (mm)	1,780
Max. skip capacity heaped (l)	2,400
Skip versions	



Multi View combines productivity with safety:

The new Multi View wheel dumper DV45.



Multi View mode.

In the Multi View mode, the DV45 can be operated with a laterally turned cabin. The operator thus sees the entire lateral working environment and can precisely dump the load on the point.

Automatic skip return.

At the push of a button the skip can be automatically returned to the transporting position. During the return of the skip, the machine can be operated normally.

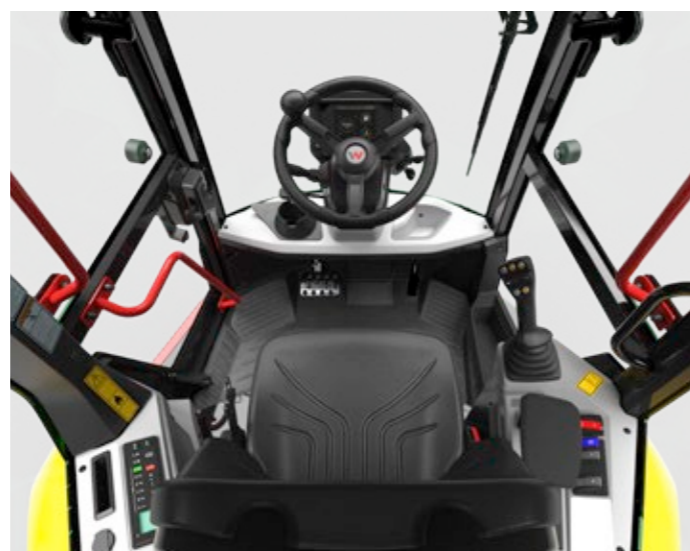
Hydrostatic 4-wheel drive.

With the hydrostatic 4-wheel drive, the operator can concentrate on his work without frequent gear shifting. The automatic ECO mode ensures minimal consumption.



Rotating cabin.

The operator cabin that can be turned by 180° at the press of a button. This enables an extensive view around the machine and greatly increases safety for the operator and his environment.



Comfortable cab.

Storage compartment incl. cellphone holder, tinted windows with UV protection, large display, Jog Dial operation and much more makes the wheel dumper DV45 a comfortable everyday hero for the operator.

Efficiency

- At the press of a button the cabin can be rotated, this enables an extensive view of around the machine
- The auto-stop function automatically switches the machine off when it is not in use
- The Multi View mode ensures for ideal visibility when side filling

Comfort

- Intuitive, easy operation with a high level of cabin comfort
- Optional air-conditioning system
- Large, multi-functional 7-inch color display ensures a perfect overview of all the machine's functions

Performance

- Hydrostatic 4-wheel drive with automatic ECO mode
- Variable drive system up to maximum speed of 25 km/h allows continuous acceleration and braking without shifting gears
- Automatic skip return brings the skip back to the starting position at the push of a button

Safety

- Hill-Hold function prevents the machine from rolling away as soon as the foot is removed from the gas pedal
- Camera incl. washing function front and rear
- Tilt monitoring warns the operators of unsafe use
- Seatbelt monitoring with optional start release – warns or prevents start-up without an applied seatbelt





Safety redefined: The wheel dumper DW50

	DW50
Max. payload (kg)	5,000
Engine output (kW)	45/55.4
Width (mm)	1,915
Max. skip capacity heaped (l)	2,650
Skip versions	



Wheel dumper DW50:

Optimized for maximum safety and performance.



Seat belt monitoring with seat belt logic.

Safety is very important. The seatbelt monitoring is therefore indispensable. The operator must first be seated and then buckle up to be able to start the machine. An unsafe start-up is therefore ruled out and more safety for the operator is ensured.



Cruise control system.

The cruise control system ensures that the machine maintains a set speed. This way, the operator does not have to concentrate on his speed and can enjoy the comfort of automation.



Sturdy skip guard.

The skip guard protects the operator and the cab from falling material – even while driving. It can withstand an impact from an excavator bucket with a maximum force impact of a 15 ton excavator. The protective skip guard has been designed and tested for this, based on ISO 10262 Level 2.



Rear LED lights incl. dynamic turn signals.

The rear LED lights are recognizable even from a distance and shine a bright and noticeable light. The motion of the dynamic turn signals also installed runs from the inside outward. This focuses attention on the surroundings when turning and the risk of accidents or misunderstandings can be minimized.



Performance

- Four-cylinder turbo diesel engine
- Weather protection roof

Safety

- Seat belt monitoring
- Sturdy skip guard
- Rear LED lights incl. dynamic turn signals
- Entry in high visibility color
- Washing system for cameras
- Broadband tone drive signal when activating reverse gear
- Dual-circuit braking system

Versatility

- Optional turf tires
- Auto-stop function

Efficiency




- Hydrostatic 4-wheel drive with automatic ECO mode
- Partially locked differential

Comfort

- Cruise control system
- Lockable storage options in the wheel case



Material handling on a large scale: The wheel dumpers DW60 and DW90

	DW60	DW90
Max. payload (kg)	6,000	9,000
Engine output (kW / hp)	44.5 / 59.7	55.4 / 75.3
Width (mm)	2,328	2,486
Max. skip capacity heaped (l)	3,500	4,600
Skip versions	 	

Safe powerhouses.

An overview of the DW60 and DW90 features.

Safety

- Sturdy skip guard
- Hill hold function
- Entry in high visibility color
- Front and rear-view camera with washing system
- Automatic brake lights with the hydrostatic braking function
- Green rotating beacon
- Tilt and skip monitoring
- Seat belt monitoring

Comfort

- Spacious, comfortable cab
- Large, multi-functional display
- Toolbox on one or both sides



Performance

- LED front and rear work lights
- Variable speed up to 25 km/h (15.5 mph)
- Cruise control

Efficiency

- Hydrostatic 4-wheel drive with automatic ECO mode
- Joystick operation
- Easy service and maintenance access
- Auto-stop function





Tilt and skip monitoring

- The cab is particularly spacious and safe due to the laminated safety glass, among other things, as well as the skip guard mounted in front of the glass
- The optional air-conditioning system provides maximum comfort and a pleasant working temperature in every weather condition
- A variety of stowage options and optimally arranged operating elements help the operator to work quickly and efficiently

Wheel dumpers DW60 and DW90: Efficient load carriers.



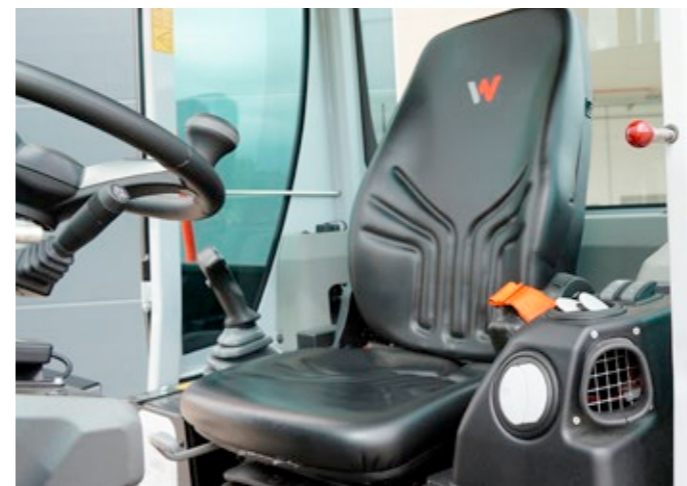
Tilt and skip monitoring.

These tilt monitoring warns both visually and acoustically, should the skip be operated in an unsafe state. Skip monitoring ensures that the machine is only operated at a restricted speed when the skip is raised.



All-round LED lighting.

From LED work lights through LED rear lights with dynamic indicators, the machine is equipped all-around with low-maintenance, powerful work lights that can be easily detected both on and off the road.



Seatbelt monitoring with start release.

The intelligent seatbelt monitoring detects the sequence of sitting down and operating the seatbelt, and only allows the operator to start the machine once he is actually strapped in.



Large, multi-functional display.

The large, multi-functional 7-inch display ensures for a perfect overview of all functions of the machine and shows the respective camera images. In doing so, the display automatically switches between the image of the front and rear-view camera depending on the selected direction of travel. This again increases the safety of the machine. Furthermore, the display fulfills the IP69 protective class rating making it very sturdy.



Dumper and truck in one:

The Dual View dumpers DV60, DV90, DV100

	DV60	DV90	DV100
Max. payload (kg)	6,000	9,000	10,000
Engine output (kW)	55/100	55/100	55
Width (mm)	2,230	2,420	2,420
Max. skip capacity heaped (l)	3,500	4,600	5,000
Skip versions			



Highest level of safety thanks to the Dual View.

An overview of the DV60, DV90, and DV100 features.

Safety

- Sturdy skip guard
- Field of vision is better than the standards
- Spring-loaded parking brake
- Cameras incl. washing function to the front and rear for ideal all-round visibility
- Belt and rotating beacon in signal color
- Entry in high visibility color
- Automatic brake lights with the hydrostatic braking function
- Seat contact switch
- Tilt monitoring warns the operator of unsafe use
- LED lighting surrounding the machine as standard

Maintenance

- Very long-life and robust thanks to processing exclusively with high-quality materials
- Lockable toolbox in the wheel case, as standard
- Optimally placed service and maintenance access



Comfort

- Swivel seat without a center console, therefore more freedom for leg movement and space for the operator
- Storage options and jacket hook for high level of operational comfort
- Cruise control system
- Fold-up armrest for simple entry and exit on both sides
- Spacious, comfortable cabin with optional air-conditioning system
- Clearly arranged instrument panel with joystick operation concept
- Tinted windows with UV protection

Efficiency

- Optional power version with 100 kW engine for even stronger drive
- Auto-stop function
- Optimally placed service and maintenance access
- Reduced dimensions
- Hydrostatic 4-wheel drive with automatic ECO mode
- Intuitive joystick operation



Dual View dumpers DV60, DV90, DV100: Unrestricted view in any situation.

Unrestricted view – especially in the main direction of travel.

You can comfortably and quickly change the seat position with our Dual View dumpers. Simply turn the whole operating and seat console by 180 degrees. In this way, you will always have the best view when working and as a result, can ensure more safety on your construction site. Therefore, in confined spaces you can operate safely and precisely.



More operating comfort thanks to the ergonomic swivel console.

Premium steering wheel with tilt adjustment simplifies the safe entry and exit

Rotating assembly mounted on bearings for quick change of the sitting position

Adjustable armrest

Fold-up console for exiting on both side in both directions of travel



Multi-function display for machine functions, incl. lockable display protection

Screen for standard rear-view camera with lockable anti-vandalism protection; screen and camera fulfill IP69

A lot of freedom for leg movement with the new swivel seat design



Innovative and safe.

Hill-hold function, tilt monitoring and seatbelt monitoring with start release. The safety of the operator and the surroundings are at the forefront for our machines.



The Power version.

With the optional Power engine, the Dual View Dumper provides up to 100 kW power and accelerates to up to 30 km/h top-speed. With the ECO mode and the auto-stop function, this is also present at a higher degree of environmental-friendliness.



New swivel seat design.

The swivel seat of the new Dual View series has been revised in such a way that the rotation is even easier and working is even more comfortable. A lot of leg room and entry & exit on both sides due to a fold-up armrest – the good has just got even better!



Everything at a glance.

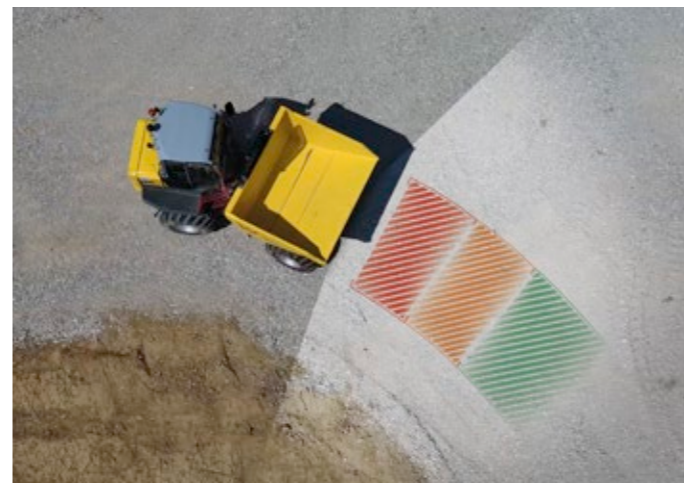
Additional LED lighting as standard and cameras that can be cleaned with an integrated washing system at the press of a button. Therefore, you always have the best all-round view around the machine.

Object detection and Integrated Brake Assist

- Scans the surroundings for possible obstacles
- Calculates the expected path of travel, even when cornering
- Intervenes before a collision occurs without interfering with daily operations including unloading and loading



Active Sense Control (ASC): Danger averted before it arrives.



Danger assessment deluxe.

All obstacles above the ground are scanned and processed by the machine in real time using software developed in-house. If a collision is imminent - whether with objects or people in the vicinity - the system intervenes immediately, even to the point of stopping the machine.



Mute-Mode.

If the function restricts a desired movement - such as parking or unloading - it can be put out of operation for a short time. The so-called mute mode allows the operator to carry out the desired movement and continue moving the machine despite the warning and stop function.



Functionality always in sight.

Immediately after the machine is started, the system reports full functionality or also any contamination or faults so that the operator can react before the machine is put into operation.



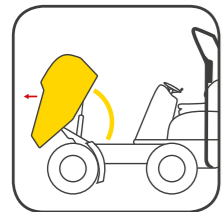
Trailer operation also considered.

Should a trailer be towed, the system can be switched to trailer mode, which automatically deactivates the radar on the trailer side to avoid annoying continuous alarms and ensure undisturbed operation.

Skip and platform versions.

Whether for construction sites, gardening and landscaping, or municipal use: The different skip types and platform versions are designed for different needs and provide you with exactly the qualities that are in demand.

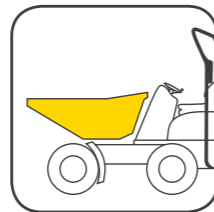
Wheel dumpers



Front tip skip

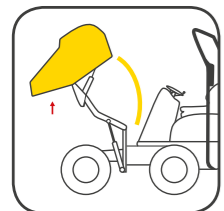
The front tip skip is ideal if a lot of material has to be transported in a short period of time.

- For larger material volumes up to 4.75 m³
- Low center of gravity and low dumping height
- Economical solution



Other types of skips

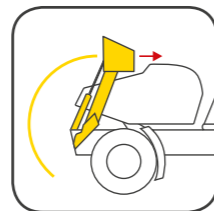
A low dump height is important in many applications. This is exactly why the DW20 and the DW30 have special skips.



High tip skip

If height differences are to be compensated when emptying the material, the high tip skip is the right choice.

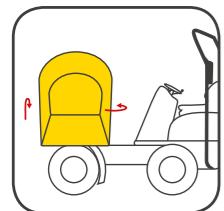
- Suitable for container loading
- Dump height is over 1.8 m
- Flexible use as front or high tip skip



Self-loading equipment

Entirely without other machines, lots of material can be filled in a short time with the self-loading equipment.

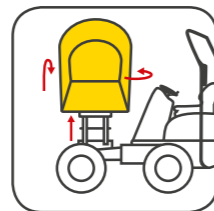
- Lifting of up to 300 kg material
- Independent actuation of loading arm and bucket



Swivel tip skip

Thanks to the infinitely variable 180-degree tipping, the swivel tip skip puts your material exactly where you want it – ideal for limited spaces.

- Leveling during transport of liquids on gradients
- 2 × 90-degree swing gear left and right
- Lateral filling possible



High swivel tip skip

- Combination of the advantages of a swivel tip skip and a high tip skip
- Outstanding suitability for bridging of height differences in narrow spaces
- The modern tilt sensor warns the operator of instability immediately with a visible and acoustic signal

Configuration options.

Wheel dumpers and Dual View dumpers.

	DW15e	1001	1501	1601	DW20	DW30	DW40	DW50	DW60	DW90	DV45	DV60	DV90	DV100	
Skip															
Swivel tip skip	○	-	○	○	●	●	●	●	○	-	●	○	○	-	
Front tip skip	-	-	-	●	-	-	-	-	●	●	-	●	●	●	
High tip skip	●	●	●	○	-	-	-	-	-	-	-	-	-	-	
Light material skip	-	○	-	-	-	-	-	-	-	-	-	-	-	-	
Swivel tip skip 3 m	-	-	-	-	-	-	-	-	○	-	-	-	-	-	
Concrete skip incl. pouring pan	-	-	-	-	-	○	-	-	-	-	-	-	-	-	
Automatic skip return	-	-	-	-	-	-	-	-	-	-	○	-	-	-	
High swivel tip skip	-	-	-	-	○	○	-	-	-	-	-	-	-	-	
Swivel tip skip with self-loading equipment	-	-	-	-	○	-	-	-	-	-	-	-	-	-	
Cab / ROPS / canopy															
Cab ROPS / FOPS Level II	-	-	-	-	-	○	○	-	○	○	○	○	○	○	
Canopy ROPS / FOPS Level II	-	-	-	-	-	-	-	-	-	-	-	○	○	○	
Air-conditioning system	-	-	-	-	-	○	○	-	○	○	○	○	○	○	
Bluetooth radio with hands-free system	-	-	-	-	-	○	○	-	○	○	○	○	○	○	
Weather protection roof	-	-	-	-	○	○	○	○	-	-	○	-	-	-	
Fold-down ROPS bar	●	●	●	●	-	-	-	-	-	-	-	-	-	-	
Fold-down ROPS bar with gas pressure damper	-	-	-	-	●	●	●	●	●	●	●	●	●	●	
7-inch display (protective class IP69)	-	-	-	-	-	-	-	●	●	●	●	●	●	●	
Vandalism protection, display	-	-	-	-	-	-	-	●	●	●	●	●	●	●	
Seat heating	-	-	-	-	-	-	○	○	○	○	○	-	-	-	
Document box (watertight) (lockable)	-	-	-	-	●	●	●	●	●	●	●	●	●	●	
Toolbox on both sides (lockable)	-	-	-	-	○	○	○	○	-	-	-	-	-	-	
Imitation leather seat and seat contact switch	-	-	-	-	○	○	○	-	○	○	●	○	○	○	
Engine, drive system and hydraulics															
100% electric drive system	●	-	-	-	-	-	-	-	-	-	-	-	-	-	
Battery charger for xGEI 230 V 16A	○	-	-	-	-	-	-	-	-	-	-	-	-	-	
Multi View mode	-	-	-	-	-	-	-	-	-	-	○	-	-	-	
Auto-stop function	-	-	-	-	-	○	●	●	●	●	●	●	●	●	
25 km/h version	-	-	-	-	-	○	●	●	●	●	●	●	●	●	
30 km/h version	-	-	-	-	-	-	-	○	-	-	-	○	○	○	
Cruise control system	-	-	-	-	-	○	○	○	-	-	○	-	-	-	
Hydrostatic 4-wheel drive	●	●	●	-	●	●	●	●	●	●	●	●	●	●	
Articulated pendulum joint	●	●	●	●	●	●	●	●	●	●	●	●	●	●	
Partially locked differential	-	-	-	-	●	●	●	●	-	-	-	-	-	-	
DV 30/ 10/ 15/ 10 km/h	-	-	-	-	-	-	-	-	-	-	-	○	○	○	
DV 30/ 15/ 20/ 15 km/h	-	-	-	-	-	-	-	-	-	-	-	○	○	○	
Panolin HLP Synt46 (Bio-oil)	○	○	○	○	○	○	○	○	○	○	○	○	○	○	
6-point central lubrication system	-	-	-	-	-	-	-	-	-	-	-	○	○	○	

● Standard ○ Option - not available

Configuration options.

Wheel dumpers and Dual View dumpers.

	DW15e	1001	1501	1601	DW20	DW30	DW40	DW50	DW60	DW90	DV45	DV60	DV90	DV100
Paint														
Special paint cab / canopy / ROPS	-	-	-	-	o	o	o	o	o	o	o	o	o	o
Special machine paint, no RAL	o	o	o	o	o	o	o	o	o	o	o	o	o	o
Single-color RAL special paint	o	o	o	o	o	o	o	o	o	o	o	o	o	o
EquipCare														
EquipCare incl. app and PC manager*	o	o	o	o	o	o	o	o	o	o	o	o	o	o
EquipCare Dual ID	o	-	-	-	o	o	o	o	o	o	o	o	o	o
Tires														
Turf tires	o	-	-	-	-	o	-	-	-	o	-	o	-	-
Tires with tractor tread	●	●	●	●	●	●	●	●	●	●	●	●	●	●
Narrow tires	-	o	-	-	-	-	-	-	-	-	-	-	-	-
Tires with all-round tread	-	-	-	-	-	o	o	o	o	-	o	o	o	o
Dual tires	-	o	-	-	-	-	-	-	-	-	-	-	-	-
Safety														
LED front + rear work lights	-	-	-	-	o	o	o	o	o	o	o	o	o	o
Rear working lights LED	-	-	-	-	-	-	-	-	-	-	●	●	●	●
Side mirror (rear-view mirror)	o	o	o	o	●	●	●	●	●	●	●	●	●	●
Reverse alarm	-	o	o	o	-	-	-	-	-	-	-	●	●	●
Broadband tone reverse alarm	-	-	-	-	o	o	o	o	o	o	●	-	-	-
Active Sense Control (object detection)**	-	-	-	-	-	-	-	o	o	o	o	o	o	o
Skip guard	-	-	-	-	-	o	o	o	o	o	o	o	o	o
Entry in high visibility color	-	-	-	-	o	o	o	o	o	o	o	o	o	o
Orange LED rotating beacon	o	o	o	o	o	o	o	o	o	o	o	o	o	o
Green LED rotating beacon	-	-	-	-	o	o	o	-	o	o	o	o	o	o
Orange safety belt	-	-	-	-	●	o	o	●	o	o	●	o	o	o
Front view camera	-	-	-	-	o	o	o	●	●	●	o	o	o	o
Rear-view camera	-	-	-	-	o	o	o	o	o	o	●	●	●	●
Rear LED light (incl. dynamic turn signal)	-	-	-	-	o	o	o	o	-	-	●	-	-	-
Camera washing system	-	-	-	-	o	o	o	●	o	o	●	-	-	-
Seat belt monitoring and start release	-	-	-	-	o	-	o	o	o	o	-	-	-	-
Hill hold function	-	-	-	-	o	o	o	o	o	o	o	o	o	o
Skip and tilt monitoring	-	-	-	-	●	●	●	-	●	●	●	o	o	o
Miscellaneous														
Towing device	-	-	-	-	o	o	o	o	o	o	o	o	o	o
Plug receptacle for towing device	o	o	o	o	o	o	o	o	o	o	o	o	o	o
Road lights	-	-	-	-	-	-	-	-	o	o	-	o	o	o
Equipment for road traffic	o	o	o	o	o	o	o	o	o	o	●	●	●	●
Manufacturer confirmation	o	o	o	o	o	o	o	o	o	o	o	o	o	o
Wheel chock	o	o	o	o	o	o	o	o	o	o	●	o	o	o
TÜV road approval (DE)	o	o	o	o	o	o	o	o	o	o	o	o	o	o

● Standard ○ Option - not available

* available in Germany, Switzerland, Austria, United Kingdom, Sweden, France, Denmark, Norway, Belgium, Ireland, the Netherlands and Luxembourg. Other countries optional.

** available from the end of 2023

Dimensions.

Wheel Dumpers.

	Unit	DW15e		1001		1501		1601		
		High tip skip	Swivel tip skip	High tip skip	Narrow	High tip skip	Swivel tip skip	High tip skip	Swivel tip skip	Front tip skip
A Overall length	mm	3,300	3,214	3,080		3,300	3,220	3,300	3,220	3,310
B Wheel base	mm	1,755		1,500		1,650	1,700	1,650	1,700	1,700
C Tail projection including towing device	mm	746		810		810		810		
D Pivot point of the high tip skip	mm	1,924	-	740/1,825		820/1,885	-	820/1,885	-	-
E Dumping distance	mm	375	-	510		400	280	400	280	370
F Width of vehicle	mm	1,322		1,180	990	1,305		1,305		
G Width of skip	mm	1,234		1,130	990	1,225	1,260	1,200	1,260	1,300
H Overall height of ROPS	mm	2,550		2,580		2,550		2,550		
I Height of ROPS folded down	mm	1,971		1,960		1,960		1,960		
J Height of cab	mm	-		-		-		-		
K Height of dumping edge skip tipped	mm	445/1,516	740	465/1,560	465/1,140	370/1,450	680	370/1,450	680	360
L Height of skip tipped	mm	1,966/3,038	2,276	1,770/2,860	1,770/2,440	1,895/2,975	2,250	1,895/2,975	2,250	1,970
M Height of skip not tipped	mm	1,408/2,479	1,340	1,230		1,345	1,300	1,345	1,300	1,345
N Dumping distance lateral	mm	-	108	-		-	100	-	100	-
O Ground clearance	mm	252		270		260		260		

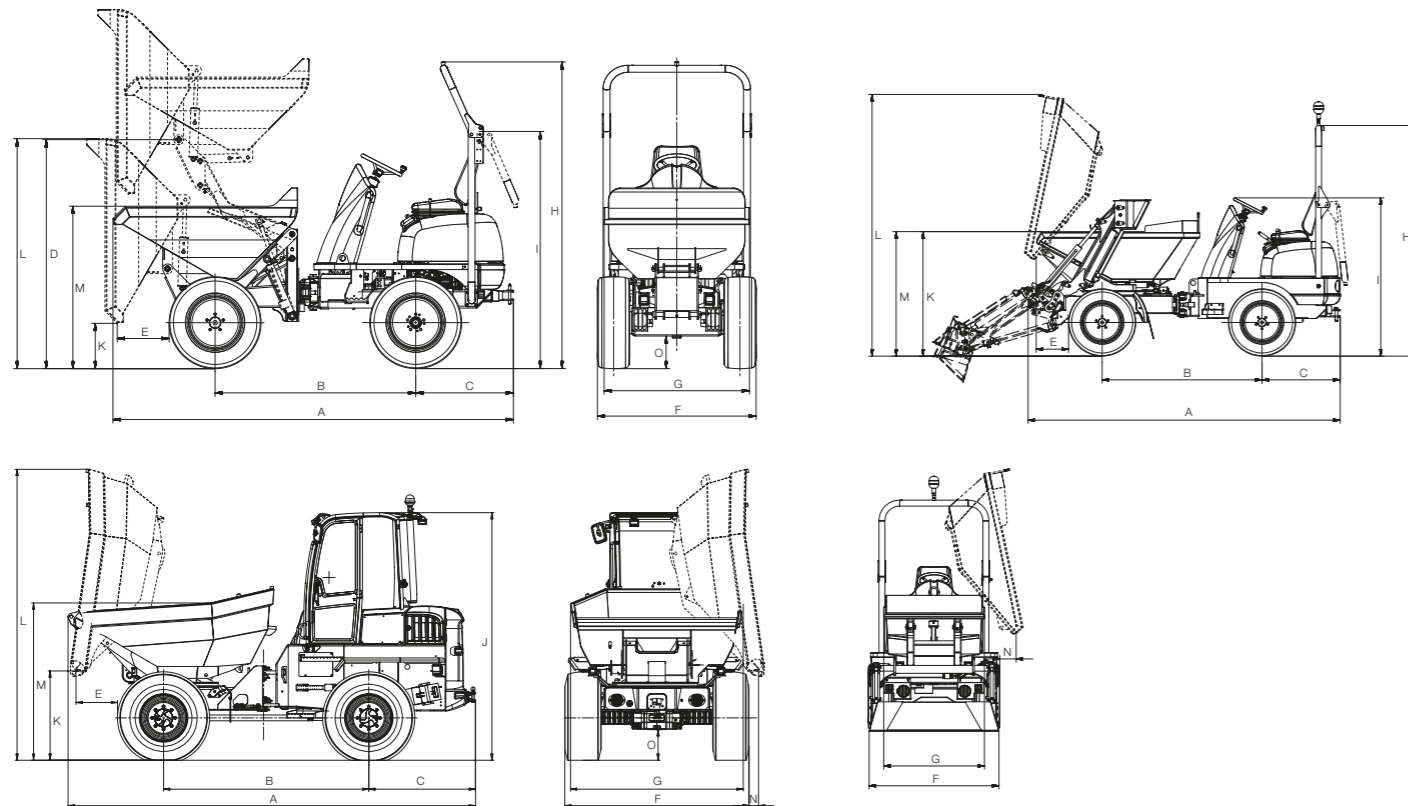
	Unit	DW20		DW30		DW40	DW50	DW60		DW90		
		Swivel tip skip	High swivel tip skip	Swivel tip skip	Concrete skip	Swivel tip skip	Swivel tip skip	Front tip skip	Swivel tip skip	Swivel tip skip 3 m	Front tip skip	
A Overall length	mm	3,784/3,813***		3,755	3,904	4,890	4,269	4,412	4,554	4,806	4,744	4,729
B Wheel base	mm	1,882	1,945	1,945	2,090	2,090	2,190	2,485		2,700		
C Tail projection including towing device	mm	1,041	1,041	1,039	1,156	1,072	1,241	1,263		1,263		
D Pivot point of the high tip skip	mm	-	1,746	-		-	-	-		-		
E Dumping distance	mm	481/457***	401	482	1,212	567	616	565	456	446	514	
F Width of vehicle	mm	1,497	1,627	1,730	1,780	1,780	1,915	2,230		2,420		
G Width of skip	mm	1,482/1,121***	1,482	1,730	1,740	1,780	1,926	2,328	2,217	2,218	2,486	
H Overall height of ROPS	mm	2,738	2,757	2,778	2,860	2,857	2,783	3,240	3,258	3,258	3,280	
I Height of ROPS folded down	mm	1,873	1,770	1,913	1,945	1,945	1,944****	2,591		2,618		
J Height of cab	mm	-		-	2,689	2,690	-	2,999		3,081		
K Height of dumping edge skip tipped	mm	910/881***	1,174	994	363	1,014	1,111	384	1,100	1,153	374	
L Height of skip tipped	mm	2,855/2,862***	3,596	3,082	3,040	3,298	3,479	2,417	3,639	3,639	2,580	
M Height of skip not tipped	mm	1,404/1,388***	2,053	1,475	1,698	1,582	1,882	1,828	1,837	1,830	2,003	
N Dumping distance lateral	mm	241/263***	162	235	700	237	253	-	227.5	227.5	-	
O Ground clearance	mm	217	217	257	257	257	282	378		396		

*** SLE **** Only with both handrail and mirror disassembled, otherwise 2,205 mm

Dimensions.

Wheel dumpers and Dual View dumpers.

	Unit	DV45	DV60		DV90		DV100
		Swivel tip skip	Front tip skip	Swivel tip skip	Front tip skip	Swivel tip skip	Front tip skip
A Overall length	mm	4,400	4,441	4,700	4,622	4,891	4,660
B Wheel base	mm	2,280	2,485		2,700		2,700
C Tail projection including towing device	mm	1,155	1,157		1,157		1,157
D Pivot point of the high tip skip	mm	–	–		–		–
E Dumping distance	mm	503	581	599	674	555	729
F Width of vehicle	mm	1,780	2,196		2,420		2,420
G Width of skip	mm	1,775	2,328	2,217	2,486	2,453	2,504
H Overall height of ROPS	mm	3,060	3,435		3,483		3,483
I Height of ROPS folded down	mm	2,363	2,439		2,473		2,473
J Height of cab	mm	2,841	2,926		2,974		3,029
K Height of dumping edge skip tipped	mm	945	401	1,100	365	1,202	333
L Height skip tipped	mm	3,317	2,402	3,631	2,573	4,010	2,740
M Height skip not tipped	mm	1,634	1,820	1,838	2,003	2,036	2,073
N Dumping distance lateral	mm	335	–	209	–	249	–
O Ground clearance	mm	261	364		390		390



Technical data.

Wheel dumpers and Dual View dumpers.

	Unit	DW15e		1001		1501		1601		
		High tip skip	Swivel tip skip	High tip skip	Narrow	High tip skip	Swivel tip skip	High tip skip	Swivel tip skip	Front tip skip
General										
Payload	kg	1,500		1,000	850	1,500		1,500		
Shipping weight	kg	1,940		1,215	1,150	1,320	1,261	1,261		
Skip capacity struck	l	650		415		650		650	650	829
Skip capacity heaped	l	800		525		800		850	850	1,044
Skip capacity volume of water	l	420	325	275		420	325	420	325	612
Engine										
Manufacturer/model	–	–	Yanmar 3TNV76		Yanmar 3TNV76		Yanmar 3TNV76			
Design system	–	–	water-cooled 3-cylinder-diesel		water-cooled 3-cylinder-diesel		water-cooled 3-cylinder-diesel			
Power (ISO 3046/1)	kW/hp	6.5		18.9/25.7		18.9/25.7		18.9/25.7		
Displacement	cm ³	–		1,116		1,116		1,116		
Operating speed	min ⁻¹	–		3,000		3,000		3,000		
Emissions/exhaust gas standard	–	100% electric		Stage V		Stage V		Stage V		
Drive characteristics										
Max. travel speed	km/h	14		14		16		16		
Articulation	degrees	± 33		± 33		± 33		± 33		
Swing	degrees	± 15		± 15		± 15		± 15		
Turning radius external	mm	3,650		3,200		3,300		3,300		
Theor. gradeability gel.	%	32		45		50		50		
Drive system										
Drive system	–	4WD electric		4WD Twin Lock		4WD Twin Lock		2WD hydrostatic		
Standard tires with tractor tread	–	10.00/75–15.3		10.00/75–15.3	6.00/16.3	10.00/75–15.3		10.00/75–15.3		
Hydraulic system										
Drive pump	–	–		Axial piston pump		Axial piston pump		Axial piston pump		
Flow rate	l/min	–		84		135		84		
Operating pressure	bar	–		360		360		420		
Work pump	–	Gear pump		Gear pump		Gear pump		Gear pump		
Flow rate	l/min	16.8		25		25		25.7		
Operating pressure	bar	175		170		170		170		
Tank capacity										
Diesel tank	l	–		15		20		20		
Hydraulic oil tank	l	20		20		20		20		
Noise emissions										
Sound power level (LWA) (according to 2000/14/EC)	dB(A)	91		101		101		101		
Emission sound pressure level (LpA)	dB(A)	58		82		81		80		

Technical data.

Wheel dumpers and Dual View dumpers.

Unit	DW20			DW30		DW40	DW50	DW60			DW90	DV45	DV60		DV90		DV100		
	High swivel tip skip	Swivel tip skip	SLE	High swivel tip skip	Swivel tip skip	Swivel tip skip	Swivel tip skip	Swivel tip skip	Front tip skip	Swivel tip skip 3m	Front tip skip	Swivel tip skip	Front tip skip	Swivel tip skip	Front tip skip	Swivel tip skip	Front tip skip		
General																			
Payload	kg	2,000			3,000	3,000	4,000	5,000	6,000			9,000	4,200	6,000		9,000		10,000	
Shipping weight	kg	2,254	2,034	2,389	2,804	2,142	2,575	3,106	4,118	3,874	4,118	4,478	2,500-3,100		4,000	4,700	4,500	5,100	4,600
Skip capacity struck	l	950	950	780	1,280	1,280	1,800	2,000	2,350	2,700	2,300	3,600	1,810	2,700	2,400	3,750	3,300	4,150	
Skip capacity heaped	l	1,280	1,280	1,060	1,750	1,750	2,300	2,650	3,150	3,600	3,100	4,500	2,400	3,500	3,150	4,600	4,350	5,000	
Skip capacity volume of water	l	700	700	630	990	990	1,190	1,320	1,600			2,350	1,350	1,900	1,600	2,400	2,050	2,550	
Engine																			
Manufacturer/model	-	Yanmar 3TNV76			PERKINS 403J-E17T	Yanmar 3TNV76*	PERKINS 403J-E17T	Deutz TD 2.2**	Deutz TD 2.2**			Deutz TD 2.9	Deutz TD 2.9	Perkins 403J-E17T	Deutz TD 2.9/TD 3.6***		Deutz TD 2.9/TD 3.6***		Deutz TD 2.9***
Design system	-	water-cooled 3-cylinder diesel			water-cooled 3-cylinder turbo diesel	water-cooled 3-cylinder diesel	water-cooled 3-cylinder turbo diesel	water-cooled 3-cylinder turbo diesel	water-cooled 3-cylinder turbo-diesel			water-cooled 4-cylinder turbo-diesel	water-cooled 4-cylinder turbo-diesel	water-cooled 3-cylinder turbo-diesel	water-cooled 4-cylinder turbo-diesel		water-cooled 4-cylinder turbo-diesel		water-cooled 4-cylinder turbo-diesel
Power (ISO 3046/1)	kW/hp	18.9/25.7			36/45.3	18.9/25.7	36/45.3	44.5/59.7	44.5/59.7			55.4/75.3	55.4/75.3	36/45.3	55.4/75.3 100/136		55.4/75.3 100/136		55.4/75.3
Displacement	cm ³	1,116			1,663	1,116	1,663	2,200	2,194			2,900	2,900	1,663	2,900	3,600	2,900	3,600	2,900
Operating speed	min ⁻¹	3,000			2,200	3,000	2,200	2,200	2,300			2,200	2,200	2,200	2,200	2,000	2,200	2,000	2,200
Emissions/exhaust gas standard	-	Stage V			Stage V	Stage V	Stage V	Stage V	Stage V			Stage V	Stage V	Stage V	Stage V		Stage V		Stage V
Drive characteristics																			
Max. travel speed	km/h	20			25	20	25	25/30	25			25	25	30	30		30		30
Articulation	degrees	± 36			± 36	± 36	± 36	± 37	± 29			± 29	± 36	± 29		± 28		± 28	
Swing	degrees	± 15			± 15	± 15	± 12	± 15	± 11.5			± 11.5	± 15	± 11		± 11		± 11	
Turning radius external	mm	3,800			3,800	3,800	4,030	4,280	5,125			5,750	4,465	6,110		6,620		6,600	
Theor. gradeability gel.	%;degrees	50			50	50	50	70	60			45	45	55		50		50	
Drive system																			
Drive system	-	4WD Hydrostatic			4WD Hydrostatic	4WD Hydrostatic	4WD Hydrostatic	4WD Hydrostatic incl. ECO mode	4WD Hydrostatic			4WD Hydrostatic incl. ECO mode	4WD Hydrostatic	4WD Hydrostatic incl. ECO mode		4WD Hydrostatic incl. ECO mode		4WD Hydrostatic incl. ECO mode	
Tires – standard	-	10.00/75 – 15.3 tractor tread			11.5/80 – 15.3 tractor tread	11.5/80 – 15.3 tractor tread	11.5/80 – 15.3 tractor tread	Mitas 12.5 – 18 16PR MPT-01TL	405/70 – 20 tractor tread			500/60 – 22.5 tractor tread	11.5/80 – 15.3 tractor tread	405/70 – 20 tractor tread		500 / 60 – 22.5 flotation tires		500 / 60 – 22.5 flotation tires	
Hydraulic system																			
Drive pump	-	Axial piston pump			Axial piston pump	Axial piston pump	Axial piston pump	Axial piston pump	Axial piston pump			Axial piston pump	Axial piston pump	Axial piston pump		Axial piston pump		Axial piston pump	
Flow rate	l/min	66			66	66	99	123.2	123			123	-	123	180	123	180	123	
Operating pressure	bar	445			445	445	448	470	500			500	-	500		500		500	
Work pump	-	Gear pump			Gear pump	Gear pump	Gear pump	Gear pump	Gear pump			Gear pump	Gear pump	Gear pump		Gear pump		Gear pump	
Flow rate	l/min	33.4			33.4	33.4	30.9	57.86	59			60.6	40,2	70	88	70	88	70	
Operating pressure	bar	200			200	200	220	220	240			240	240	240		240		240	
Tank capacity																			
Diesel tank	l	35			35	35	45	60	70			70	55	80/150***		80/150***		80/150***	
Hydraulic oil tank	l	31			31	31	28	39.8	48			48	46	60		60		60	
Noise emissions																			
Sound power level (LWA) (according to 2000/14/EC)	dB(A)	101			101	101	101	101	101			101	101	101	101	101	101	101	
Emission sound pressure level (LpA)	dB(A)	82			81/77***	81/77***	80	81	81			81	80	80	80	80	80	80	



Compact, maneuverable, and powerful: our track dumpers

	DT05e	DT10e	DT05	DT08	DT10	DT12	DT15	DT23
Max. payload (kg)	500	1,000	500	800	1,000	1,200	1,500	2,500
Engine output (kW/hp)	—	—	4.9/6.7*	6.8/9.2*	9.7/13.2	12/16.3	15/20.4	18.5/25
Undercarriage width (mm)	660	790	660	790	790	790	1,080	1,300
Max. skip capacity heaped (l)	313**	427	313**	387**	460	460	800*	1200

* Diesel version ** Front tip skip version

Electric track dumpers DT05e and DT10e: Compact and emission-free.

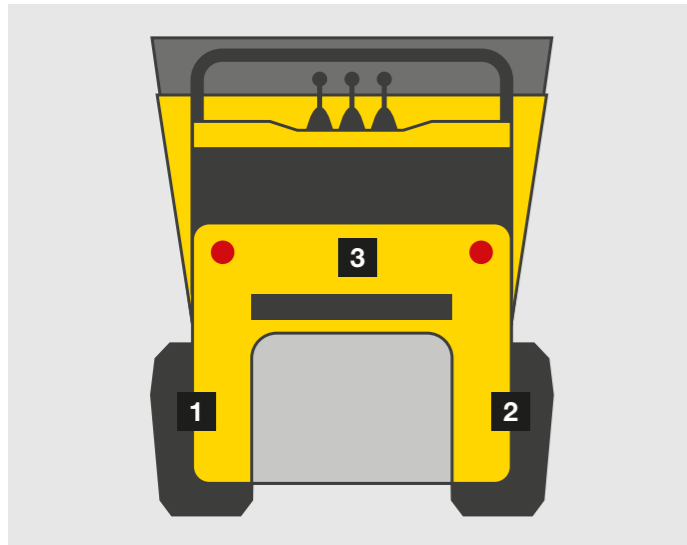


Electric drive system.

Simply start and drive away: Thanks to the electric drive system, no frequent gear shifting is required and the operator can focus entirely on his work. In doing so, the drive system and the work hydraulics are operated independent of one another.

Battery charger on the machine.

With the charging cable on the machine, it can be charged anywhere and is usable independent of location. The machine can also stay on-site overnight and is immediately ready for use again the next day.



Three drive motors for 100% electric driving.

One motor per track, as well as for the work hydraulics, which act more efficiently and independent of each other.

- 1 Left track motor
- 2 Right track motor
- 3 Work hydraulics motor



Chargeable at a normal 220 V socket.

Within a charging duration of a maximum of 8 hours, the machine can be easily and completely charged overnight and is ready for use again with a full battery in the morning. The fixed, installed charging cable for a 220 V plug is secured on the machine, and can therefore be charged spontaneously anywhere.

Safety

- Lockable engine hood
- High level of traction and gradeability
- Available with front or high tip skip

Environmental-friendliness

- 100% electric – 0% emissions in application
- Low noise emissions for applications in sensitive environments
- More applications options thanks to the electric drive
- Low service and operating costs

Maintenance

- Easy service and maintenance access
- Maintenance-free battery

Efficiency

- Automatic machine switch-off when not in use
- Compact dimensions
- Quick and easy charging at any 220 V socket
- Self-loading equipment for independent loading



Many practical skip and platform versions

- From different skip types through extendable loading areas to a concrete mixer: The track dumpers can be perfectly adapted to the specific requirement – for a variety of application areas.
- With the self-loading equipment, you can load the skip entirely without the support of other machines. The self-loading equipment is available for front tip skips and high tip skips, as well as for concrete mixers.



Our conventional track dumpers: Compact construction site aids.



Hydrostatic drive behavior.

Simply start and drive away: Because of the hydrostatic drive system, no frequent gear changing is needed and the operator can focus on the task.



Diesel or gasoline engines.

Diesel or gasoline engines are available depending on the specifications or requirements.



Small dimensions and wide tracks.

The compact dimensions of the machine are ideally suited to maneuvering and working in confined spaces. Due to the wide tracks, the machine exerts a very low ground pressure, whereby the sub-base being worked on is only minimally loaded and, as a result can be protected.



Hanging suspension-mounted rollers.

The suspension-mounted rollers provide a smooth and safer operating experience. Due to the suspended support, the rollers adapt to the terrain and compensate for obstacles or unevenness, such as stones. In this way, you also benefit from optimal driving comfort, even under any terrain conditions.

Rising to every challenge.

An overview of all the features of our conventional track dumpers:

Efficiency

- Many skip and platform versions
- Optimal weight distribution
- Small dimensions
- Auto-stop function

Maintenance

- Easy service and maintenance access
- Long maintenance intervals



Safety

- Hanging suspension-mounted rollers
- Entry and exit on both sides
- Lockable engine hood
- Track width

Performance

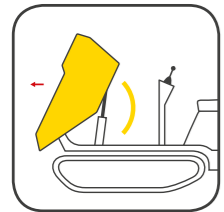
- Hydrostatic drive system
- Diesel or gasoline engines
- Optional self-loading equipment
- Different engine options: 2-cylinder, 3-cylinder or 4-cylinder (depending on the model)
- Auxiliary hydraulics



Skip and platform versions.

Whether for construction sites, gardening and landscaping, or municipal use: The different skip types and platform versions are designed for different needs and provide you with exactly the qualities that are in demand.

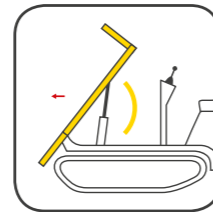
Track dumpers



Front tip skip

The front tip skip is ideal for when a lot of material has to be transported within a short time.

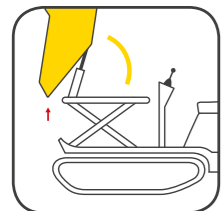
- For larger volumes of material
- Low center of gravity and low dumping height
- Economical solution



Front tip platform

Enlarging the loading area is done in one simple step with the front tip platform.

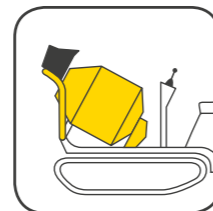
- Side parts that fold down
- Suitable for pallet transport



High tip skip

The high tip skip bridges height differences when dumping the material.

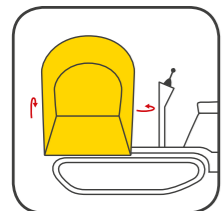
- Suitable for container loading
- Dumping height of up to 1,963 mm
- Flexible use as front or high tip skip



Concrete mixer

If necessary, a track dumper is made into a concrete mixer in a few steps.

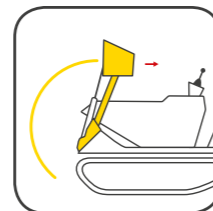
- Mixing capacity of 360 l
- Self-loading shovel with 70 l volume



Swivel tip skip

The swivel tip skip places material precisely – thanks to the continuous 180° tipping.

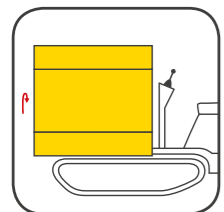
- Leveling during transport of liquids on gradients
- 2 × 90° swing gear left and right
- Lateral filling possible



Self-loading equipment

Entirely without other machines, lots of material can be filled in a short time with the self-loading equipment.

- Lifting of up to 280 kg material



3-way side-tipping platform

The 3-way side-tipping platform offers you the greatest possible flexibility when unloading bulk material.

- Material can be emptied forward or to the side
- Removable side parts
- Suitable for pallet transport



Special skips

For special applications, additional skip versions are available, such as the light materials skip. Simply ask your specialized dealer.



Front tip skip



Front tip platform



High tip skip



Concrete mixer



Swivel tip skip



Self-loading equipment

Configuration options.

Track dumpers.

	DT05e	DT10e	DT05		DT08		DT10	DT12	DT15	DT23
Type of drive	Electric	Electric	Gasoline	Diesel	Gasoline	Diesel	Diesel	Diesel	Diesel	Diesel
Skip options										
Front tip skip	○	○	○	○	○	○	○	○	○	—
Self-loading system for front tip skip	○	○	○	○	○	○	○	○	○	—
High tip skip	○	○	○	○	—	○	○	○	○	—
Self-loading system for high tip skip	○	○	—	—	—	—	○	○	○	—
Swivel tip skip	—	—	—	—	—	—	○	○	○	○
Front tip platform	—	—	—	—	○	○	○	○	—	—
3-way side-tipping platform	—	—	—	—	—	—	—	—	○	—
Light materials skip with SLE	—	—	—	—	—	—	●	●	—	—
Concrete mixer	—	—	—	—	—	—	—	—	○	—
Concrete mixer with SLE	—	—	—	—	—	—	—	—	○	—
Machine options										
Manual start	—	—	●	—	—	—	—	—	—	—
Electric start	—	—	—	●	●	●	●	●	●	●
Operating hour meter	●	●	●	●	●	●	●	●	●	●
Lockable engine hood	●	●	●	●	●	●	●	●	●	●
Fold-up running board	●	●	●	●	●	●	●	●	—	—
Operator's seat	—	—	—	—	—	—	—	—	●	●
1 travel speed	●	●	—	—	—	—	●	—	—	—
2 travel speeds	—	—	●	●	●	●	—	●	●	●
Bio-Oil	○	○	○	○	○	○	○	○	○	○
Custom-made paint finish	○	○	○	○	○	○	○	○	○	○
Trailer lug	—	—	—	—	—	—	—	—	—	○
PTO auxiliary hydraulics	—	—	—	—	—	○	—	○	●	●
ROPS stirrup-shaped bar	—	—	—	—	—	—	—	—	●	●
Security 24 C (2,000 h)	○	○	○	○	○	○	○	○	○	○
Security 36 C (3,000 h)	○	○	○	○	○	○	○	○	○	○
Security 48 C (4,000 h)	○	○	○	○	○	○	○	○	○	○
Security 60 C (5,000 h)	○	○	○	○	○	○	○	○	○	○

● Standard ○ Option — not available

Dimensions.

Track dumpers.

	Unit	DT05e		DT10e		DT05				DT08				DT10						
		Front tip skip	High tip skip	Front tip skip	High tip skip	Front tip skip	High tip skip	Front tip skip	High tip skip	Front tip skip	High tip skip	Front tip skip	High tip skip	Front tip skip	Swivel tip skip	Front tip platform	High tip skip	Light material skip		
Drive system		Electric		Electric		Diesel		Gasoline				Diesel		Gasoline		Diesel				
A Length	mm	1,670	619	1,803	1,685	1,670	1,550	1,630	1,510	1,660	1,545	1,660	1,540	1,800	1,960	1,882	1,684	1,823		
B Length with self-loading system (without running board)	mm	2,514		2,248	2,208	—				2,133	—	2,132	—	2,267	—	—	2,240	2,277		
C Length of running board	mm	365		392		365		387		387		388		393						
D Height over running board	mm	252		265		252				234		257		265						
E Undercarriage width	mm	660		830	790	660				790				790						
F Width of skip	mm	589		790	764	589	616	589	660	700	764	700	764	700	730	806	764	700		
G Skip length	mm	1,310	1,278	1,320	1,134	1,280	1,120	1,280	1,120	1,320	1,134	1,320	1,134	1,320	1,427	1,200	1,134	1,357		
H Width with self-loading system	mm	700	620	830		—				830	—	830	—	830	—	—	830			
I Track width	mm	180		180		180				180				180						
J Track rise length	mm	753		875		753				753				875						
K Height over control console	mm	1,185		1,270		1,185				1,240		1,180		1,280						
L Height over skip hand guard	mm	1,310		1,445	—	—				1,313	—	1,313	—	1,365	1,301	—	—	—		
M Concrete mixer width	mm	—		—		—				—				—						
N Height over ROPS bar	mm	—		—		—				—				—						
O Height over ROPS bar (collapsed)	mm	—		—		—				—				—						
P Height of skip front edge	mm	759	1,024	801	1,083	759	993	760	993	750	964	750	965	804	1,045	849	1,076	812		
Q Tipping height	mm	410	741	474	863	410	804	410	804	420	757	420	757	474	650	256	868	460		
R Height of front edge, high tip skip raised	mm	—	1,685	—	1,688	—	1,600	—	1,600	—	1,646	—	1,646	—	—	—	1,688	—		
S Tipping height, high tip skip raised	mm	—	1,403	—	1,467	—	1,397	—	1,397	—	1,426	—	1,426	—	—	—	1,467	—		
T Max. height, skip raised	mm	1,827	2,050	1,905	2,003	1,735	1,907	1,735	1,907	1,845	1,898	1,845	1,898	1,905	2,112	1,430	2,009	1,950		
U Max. height, high tip skip raised	mm	—	2,712	—	2,610	—	2,500	—	2,500	—	2,570	—	2,570	—	—	—	2,610	—		
V Tipping angle of the skip	°	70	78	70	82	72	77	72	77	72	82	72	82	70	85	56	82	70		
W Running board retraction angle	°	14		14	15	14		15		13		14		14						
X Ground clearance	mm	110		184	128	110				110	110	112	175	172	160	160	172			

The Wacker Neuson product range includes over 300 different product series with different versions. With the selection of different options, the product information can vary accordingly. Not all Wacker Neuson products listed or shown here are however available or allowed in all countries. The Wacker Neuson products shown are examples and as such are subject to changes. We are happy to make you a specific offer upon request. Reproduction only with the written approval of Wacker Neuson. © Wacker Neuson SE

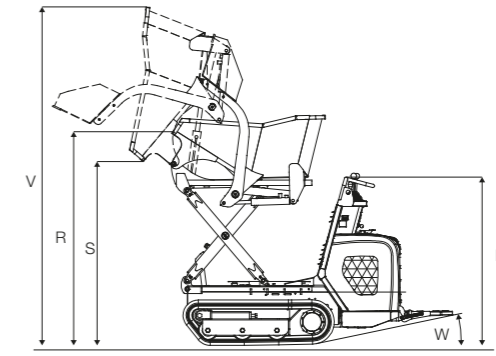
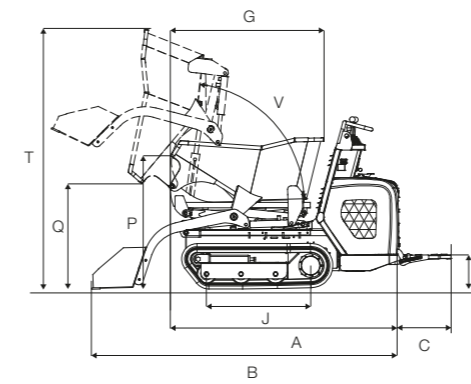
Dimensions.

Track dumpers.

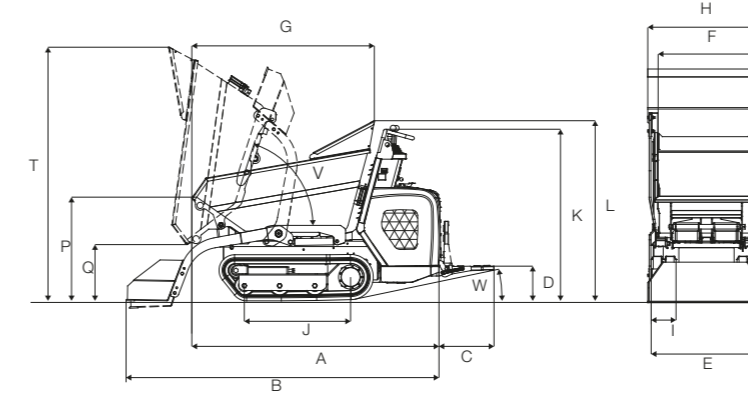
Unit	DT12				DT15					DT23		
	Front tip skip	High tip skip	Swivel tip skip	Front tipping platform	Front tip skip	3-way side tipping platform	Swivel tip skip	High tip skip	Concrete mixer	Swivel tip skip		
Fuel	Diesel				Diesel					Diesel		
A Length	mm	1,823	1,684	1,960	1,882	2,585	2,640	2,674	2,609	2,403	3,304	
B Length with self-loading system (without running board)	mm	2,277	2,240	-	-	3,160	-	-	3,365	3,250	-	
C Length of running board	mm	393				-					-	
D Height over running board	mm	265				-					-	
E Undercarriage width	mm	790				1,080					1,300	
F Width of skip	mm	700	764	730	800	1,054	1,020	1,102	1,000	-	1,312	
G Skip length	mm	1,357	1,134	1,427	1,200	1,482	1,547	1,537	1,500	-	1,945	
H Width with self-loading system	mm	830		-		1,080		-		1,121	1,080	-
I Track width	mm	180				230					270	
J Track rise length	mm	875				1,100					1,275	
K Height over control console	mm	1,280				-					-	
L Height over skip hand guard	mm	-	1,301		-	-					-	
M Concrete mixer width	mm	-				-	-	-	-	926	-	
N Height over ROPS bar	mm	-				2,372					2,523	
O Height over ROPS bar (collapsed)	mm	-				2,022					2,163	
P Height of skip front edge	mm	812	1,076	1,045	850	770	1,150	1,210	1,104	1,254	1,393	
Q Tipping height	mm	460	868	650	256	472	380/570*	810/814*	873	762	547	
R Height of front edge, high tip skip raised	mm	-	1,688	-	-	-	-	-	2,193	-	-	
S Tipping height, high tip skip raised	mm	-	1,467	-	-	-	-	-	1,963	-	-	
T Max. height, skip raised	mm	1,950	2,009	2,112	1,430	2,070	2,040	2,381	2,383	1,647	2,505	
U Max. height, high tip skip raised	mm	-	2,610	-	-	-	-	-	3,472	-	-	
V Tipping angle of the skip	°	70	82	85	56	63	63/53*	84	78	62	85	
W Running board retraction angle	°	14				-					-	
X Ground clearance	mm	175	175	172	160	224					160	

* When tipping to the front / side

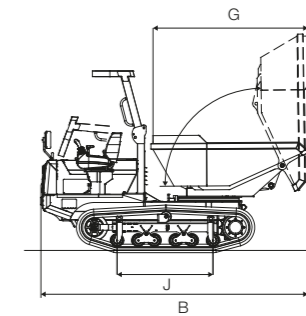
High tip skip with self-loading equipment (SLE)



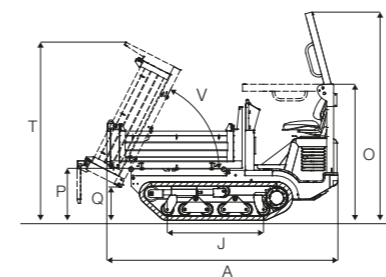
Front tip skip with self-loading equipment (SLE)



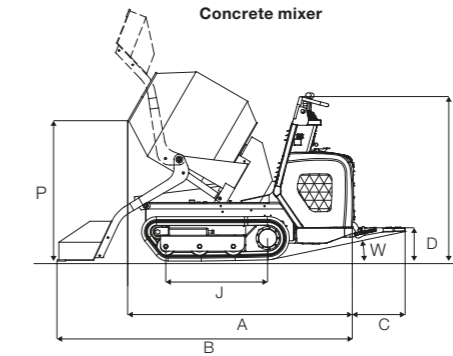
Swivel tip skip



3-way side-tipping platform



Concrete mixer



Technical data.

Track dumpers.

Unit	DT05e			DT10e			DT05				DT08			DT10				DT12				DT15					DT23	
	High tip skip	Front tip skip	High tip skip	Front tip skip	High tip skip	Front tip skip	High tip skip	Front tip skip	High tip skip	Front tip skip	High tip skip	Front tip skip	High tip skip	Swivel tip skip	Front tipping platform	Front tip skip	High tip skip	Swivel tip skip	Front tipping platform	Front tip skip	3-way side tipping platform	Swivel tip skip	High tip skip	Concrete mixer	Swivel tip skip			
General																												
Fuel		Electric	Electric	Diesel	Gasoline	Diesel	Gasoline								Diesel	Diesel					Diesel				Diesel			
Shipping weight	kg	540*	815/865*	995	465/545*	520	420/500*	475	560/630*	620	520/590*				630/695*	740/820*	775	590	655/725*	765/835*	795	610	1,310/1,390*	1,270	1,330	1,540/1,620*	1,430/1,510*	2,800
Max. machine payload	kg	500	1,000	550	500	400	500	400	800	500	800				1,000	1,200	600	1,200			1,500		900	1,500	2,300			
Skip capacity heaped	l	313	427	280	313	210	313	210	387	280	387				427	280	460	300	446	280	460	300	800	690	760	650	360	1,400
Skip capacity struck	l	273	367	240	273	170	273	170	334	240	334				367	240	431	210	393	240	431	210	660	520	550	632	-	1,120
Skip capacity volume of water	l	142	166	195	142	140	142	140	166	195	166				166	195	240	-	173	195	240	-	550	520	410	375	-	769
Self-loading equipment volume / load capacity	l/m ³	65/110	65/110	65/110	-	65/110	-	65/110	-	65/110	-	65/110	-	65/110	-	65/110	65/110	65/110	-	130/280	-	-	130/280	70/280	-			
Drive																												
Manufacturer/model	-	Electric motor	Electric motor	Yanmar	Honda	Yanmar	Honda								Kubota	Kubota					Kubota			Kubota	Kubota			
Model	-	-	-	L70N6	GX 200	L100N6	GX 270								Z482-E	D-722					D-902			V-1505				
Cylinders	-	-	-	1	1	1	1								2	3					3			4				
Fuel type	-	Current	Current	Diesel	Gasoline	Diesel	Gasoline								Diesel	Diesel					Diesel			Diesel				
Output	kW / hp	5.5/7.5	2/2.72	4.9/6.6	4.5/6	6.8/9.2	6.7/9.1								9.7/13.2	12/16.3					15/20.4			18.5/25.2				
At rpm	rpm	-	-	3,600	3,600	3,100	3,600								3,600	2,700					3,000			2,300				
Displacement	cm ³	-	-	320	196	435	270								479	719					898			1,498				
Max. torque	Nm	-	-	18	13.2	22.5	17.7								30	37					56			163				
At rpm	rpm	-	-	2,400	2,500	2,000	2,500								2,600	2,600					2,400			1,600				
Cooling system	-	-	-	Air	Air	Air	Air								Water	Water					Water			Water				
Drive characteristics																												
Travel speed	-	2	1	2	2	2	2								1	1					2			2				
1st Stage	km/h	1.5	4.0	1.6	1.8	2.1	2.1								4.0	4.0					4.0			5.0				
2nd Stage	km/h	3	-	4.0	3.9	4.0	4.0								-	-					7.5			11				
Ground pressure empty / loaded	kg/cm ²	0.18/0.34	0.20/0.40	0.18/0.52	0.15/0.24	0.12/0.25	0.19/0.36	0.16/0.34							0.18/0.52	0.18/0.52					0.28/0.51			0.24/0.49				
Theor. gradeability gel.	%	36	36	36	36	36	36								36	36					27			36				
Hydraulic system																												
Variable displacement pumps	Number	-	-	-	-	-	-								2	2					2			2				
Variable displacement pump flow rate	l/min	-	-	-	-	-	-								29 + 29	29 + 29					35 + 35			66 + 66				
Gear pumps	Number	1	1	3	3	3	3								1	1					1			1				
Gear pump flow rate	l/min	-	-	30	25	41	41								66	22					25			40				
Work hydraulics flow rate	l/min	11	5	19	14	20	20								8	80					95			172				
Max. pressure of drive hydraulics	bar	-	-	200	175	175	175								250	220					270			340				
Max. pressure of work hydraulics	bar	140	160	145	135	150	150								160	170					170			180				
Tank capacity																												
Fuel tank	l	-	-	3.3	3.6	5.4	6								9.7	9.7					24			54				
Oil tank	l	9	5	15	22.3	22.3	22.3								22.1	25.4					25			30				
Noise emissions																												
Sound power level	dB(A)	94	93	94	100	95	100								101	99					100			100				
Sound pressure level at the operator's ear	dB(A)	74	74	89	83	93	87								88	88					87			82				
Other																												
Voltage / capacitance	V/Ah	3.6/72	12/55	33	12/30	-	12/44	12/30							12/55	12/55					12/60			12/105				
Battery voltage	V	48	80	-	-	-	-								-	-					-			-				

* with self-loading equipment (SLE) - not available

Wacker Neuson – all it takes.



Concrete technology



Vibratory rammers



Vibratory plates



Rollers



Demolition technology



Generators



Lighting



Pumps



Excavators



Wheel loaders



Telehandlers



Dumpers



Financial solutions



Repair & maintenance



Academy



EquipCare & EquipCare Pro



Rental



Concrete specialists



eStore



Spare parts



Used machines



ConcreteTec



wackerneuson.com



Facebook
wackerneuson



Instagram
@wackerneuson



YouTube
Wacker Neuson



LinkedIn
Wacker Neuson



TikTok
@wacker.neuson



WN.EMEA.10369.V03.EN-US

09/2023 EN