



**STRONG PARTNERS.
TOUGH TRUCKS.™**

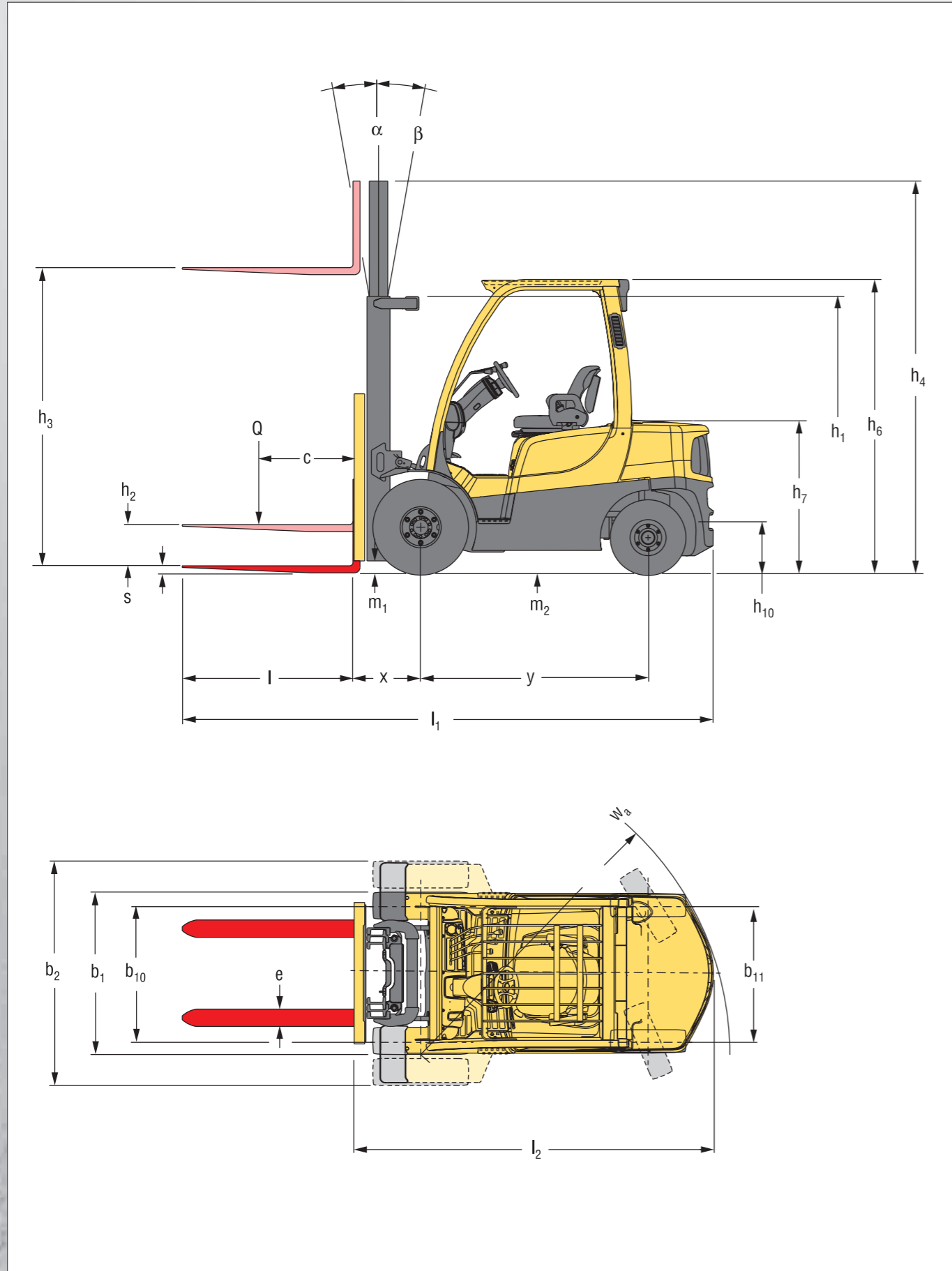
FORTENS™



H2.0-3.5FT SERIES TECHNICAL GUIDE



WWW.HYSTER.COM



H2.0FT / H2.5FT RATED CAPACITY KG@ 500 MM LOAD CENTRE

	Maximum fork height $h_3 + s$ (mm)	Back tilt (°)	Lowered height h_1 (mm)	Extended height h_4 (mm) (1)	Free lift height $h_2 + s$ (m) (2)	Pneumatic shaped solid tyres				Pneumatic radialtyres			
						Without sideshift (kg)		With ISS & FP (kg)		Without sideshift (kg)		With ISS & FP (kg)	
						H2.0FT	H2.5FT	H2.0FT	H2.5FT	H2.0FT	H2.5FT	H2.0FT	H2.5FT
2-STAGE LIMITED FREE LIFT	3290	5°	2170	4515	140	2000	2500	2000	2500	2000	2500	2000	2500
	3790	5°	2420	5015	140	2000	2500	2000	2500	2000	2500	2000	2500
	4330	5°	2770	5555	140	2000	2500	1990	2480	2000	2500	1990	2480
	4830	5°	3020	6055	140	1910	2400	1890	2370	1900	2390 (3)	1890	2360 (3)
2-STAGE FULL FREE LIFT	3300	5°	2170	4525	1555	2000	2500	2000	2500	2000	2500	2000	2500
3-STAGE FULL FREE LIFT	4350	5°	1970	5570	1380	2000	2500	1970	2500	2000	2500 (3)	1970	2500 (3)
	4950	5°	2170	6170	1580	1890	2370	1850	2370	1880 (3)	2370 (3)	1850 (3)	2370 (3)
	5550	5°	2420	6770	1830	1760	2240 (3)	1720	2220 (3)	1760 (3)	2240 (4)	1710 (3)	2220 (4)
	6000	5°	2620	7220	2030	1660	2120 (3)	1600	2090 (3)	1650 (3)	2130 (4)	1600 (3)	2100 (4)

H2.0FT / H2.5FT RATED CAPACITY KG@ 600 MM LOAD CENTRE

	Maximum fork height $h_3 + s$ (mm)	Back tilt (°)	Lowered height h_1 (mm)	Extended height h_4 (mm) (1)	Free lift height $h_2 + s$ (m) (2)	Pneumatic shaped solid tyres				Pneumatic radialtyres			
						Without sideshift (kg)		With ISS & FP (kg)		Without sideshift (kg)		With ISS & FP (kg)	
						H2.0FT	H2.5FT	H2.0FT	H2.5FT	H2.0FT	H2.5FT	H2.0FT	H2.5FT
2-STAGE LIMITED FREE LIFT	3290	5°	2170	4515	140	1920	2370	1840	2280	1920	2370	1840	2280
	3790	5°	2420	5015	140	1910	2360	1830	2270	1910	2360	1830	2270
	4330	5°	2770	5555	140	1890	2350	1810	2250	1890	2350	1810	2250
	4830	5°	3020	6055	140	1800	2240	1720	2150	1790	2240 (3)	1720	2150 (3)
2-STAGE FULL FREE LIFT	3300	5°	2170	4525	1555	1920	2380	1840	2280	1920	2380	1840	2280
3-STAGE FULL FREE LIFT	4350	5°	1970	5570	1380	1880	2380	1790	2280	1880	2380 (3)	1790	2280 (3)
	4950	5°	2170	6170	1580	1760	2250	1690	2160	1760 (3)	2250 (3)	1680 (3)	2150 (3)
	5550	5°	2420	6770	1830	1630	2110 (3)	1570	2020 (3)	1630 (3)	2110 (4)	1560 (3)	2020 (4)
	6000	5°	2620	7220	2030	1530	1990 (3)	1460	1900 (3)	1520 (3)	1990 (4)	1450 (3)	1910 (4)

H3.0FT / H3.5FT RATED CAPACITY KG@ 500 MM LOAD CENTRE

	Maximum fork height $h_3 + s$ (mm)	Back tilt (°)	Lowered height h_1 (mm)	Extended height h_4 (mm) (1)	Free lift height $h_2 + s$ (m) (2)	Pneumatic shaped solid tyres				Pneumatic radialtyres			
						Without sideshift (kg)		With ISS & FP (kg)		Without sideshift (kg)		With ISS & FP (kg)	
						H3.0FT	H3.5FT	H3.0FT	H3.5FT	H3.0FT	H3.5FT	H3.0FT	H3.5FT
2-STAGE LIMITED FREE LIFT	3105	5°	2195	4335	150	3000	3500	2970	3490	3000	3500	2950	3480
	3605	5°	2445	4835	150	3000	3500	2950	3480	3000	3500	2950	3480
	4105	5°	2795	5335	150	3000	3500	2940	3460	3000	3500	2940	3460
	4605	5°	3045	5835	150	2890	3390	2830	3340	2890	3340	2820	3340
2-STAGE FULL FREE LIFT	3300	5°	2195	4335	1495	3000	3500	3000	3500	3000	3500	3000	3500
3-STAGE FULL FREE LIFT	4015	5°	1995	5245	1315	3000	3500	2930	3460	3000	3500 (3)	2930	3430
	4615	5°	2195	5845	1515	2900	3400	2830	3350	2900 (3)	3400 (3)	2830 (3)	3350 (3)
	4915	5°	2345	6145	1665	2840	3320 (3)	2760	3260	2830 (3)	3330 (4)	2750 (3)	3270 (4)
	5215	5°	2445	6445	1765	2740	3250 (3)	2680	3180 (3)	2760 (3)	3250 (4)	2680 (3)	3190 (4)
5815	5°	2695	7045	2015	2610 (3)	2950 (3)	2510 (3)	2970 (3)	2610 (4)	3080 (4)	2510 (4)	3000 (4)	

H3.0FT / H3.5FT RATED CAPACITY KG@ 600 MM LOAD CENTRE

	Maximum fork height $h_3 + s$ (mm)	Back tilt (°)	Lowered height h_1 (mm)	Extended height h_4 (mm) (1)	Free lift height $h_2 + s$ (m) (2)	Pneumatic shaped solid tyres				Pneumatic radialtyres			
						Without sideshift (kg)		With ISS & FP (kg)		Without sideshift (kg)		With ISS & FP (kg)	
						H3.0FT	H3.5FT	H3.0FT	H3.5FT	H3.0FT	H3.5FT	H3.0FT	H3.5FT
2-STAGE LIMITED FREE LIFT	3105	5°	2195	4335	150	2820	3310	2700	3180	2820	3310	2700	3180
	3605	5°	2445	4835	150	2810	3300	2690	3170	2810	3300	2690	3170
	4105	5°	2795	5335	150	2790	3290	2670	3150	2790	3290	2670	3150
	4605	5°	3045	5835	150	2690	3170	2570	3040	2690	3170	2570	3040
2-STAGE FULL FREE LIFT	3300	5°	2195	4335	1495	2820	3310	2700	3180	2820	3310	2700	3180
3-STAGE FULL FREE LIFT	4015	5°	1995	5245	1315	2800	3290	2670	3150	2800	3290 (3)	2670	3150
	4615	5°	2195	5845	1515	2700	3190	2580	3050	2700 (3)	3190 (3)	2580 (3)	3050 (3)
	4915	5°	2345	6145	1665	2630	3110 (3)	2510	2980	2630 (3)	3110 (4)	2510 (3)	2980 (4)
	5215	5°	2445	6445	1765	2560	3030 (3)	2440	2900 (3)	2550 (3)	3040 (4)	2440 (3)	2900 (4)
5815	5°	2695	7045	2015	2400 (3)	2860 (3)	2290 (3)	2730 (3)	2400 (4)	2860 (4)	2290 (4)	2740 (4)	

H3.0FT FORTENS / FORTENS ADVANCE / FORTENS ADVANCE PLUS

		GENERAL					
		1-1	1-2	1-3	1-4		
Manufacturer				HYSTER	HYSTER	HYSTER	HYSTER
Model designation				H3.0FT	H3.0FT	H3.0FT	H3.0FT
Model				Fortens	Fortens Advance	Fortens Advance+	Fortens Advance+
Engine / transmission				PSI 2.4L Electronic Powershift 1-speed	PSI 2.4L DuraMatch™ 1-speed	Kubota 2.5L DuraMatch™ 1-speed	Kubota 2.5L DuraMatch™ 2 2-speed
Brake type				Drum	Drum or Oil-immersed	Oil-immersed	Oil-immersed
Drive				LPG	LPG	LPG	LPG
Operator type				Seated	Seated	Seated	Seated
Rated capacity/rated load		Q ₁	t	3.0	3.0	3.0	3.0
Load centre distance		c	mm	500	500	500	500
Load distance, centre of drive axle to fork		x	mm	483	483	483	483
Wheelbase		y	mm	1623	1623	1623	1623
Service weight			kg	4612	4612	4612	4612
Axle loading with load, front / rear			kg	6640 972	6640 972	6640 972	6640 972
Axle loading without load, front / rear			kg	1823 2789	1823 2789	1823 2789	1823 2789
Tyre type				Superelastic	Superelastic	Superelastic	Superelastic
Tyre size, front				28 X 9 - 15	28 X 9 - 15	28 X 9 - 15	28 X 9 - 15
Tyre size, front				6.50 X 10	6.50 X 10	6.50 X 10	6.50 X 10
Wheels, number front / rear (x = driven wheels)				2x / 2	2x / 2	2x / 2	2x / 2
Tread, front		b ₁₀	mm	965	965	965	965
Tread, rear		b ₁₁	mm	967	967	967	967
Tilt of mast / fork carriage forward / backward			(°)	6 / 5	6 / 5	6 / 5	6 / 5
Height, mast lowered		h ₁	mm	2195	2195	2195	2195
Free lift (1)		h ₂	mm	140	140	140	140
Lift (1)		h ₃	mm	3055	3055	3055	3055
Height, mast extended (2)		h ₄	mm	3805	3805	3805	3805
Height of overhead guard (cabin) (3)		h ₆	mm	2185	2185	2185	2185
Cab height (open cab)			mm	2206	2206	2206	2206
Seat height relating to SIP (4)		h ₇	mm	1086	1086	1086	1086
Coupling height		h ₁₀	mm	390	390	390	390
Overall length		l ₁	mm	3633	3633	3633	3633
Length to face of forks		l ₂	mm	2633	2633	2633	2633
Overall width (5)		b ₁ /b ₂	mm	1186 / 1321 / 1601	1186 / 1321 / 1601	1186 / 1321 / 1601	1186 / 1321 / 1601
Fork dimensions DIN ISO 2331		s/e/l	mm	50 X 120 X 1000	50 X 120 X 1000	50 X 120 X 1000	50 X 120 X 1000
Fork carriage ISO 2328, class/type A, B			mm	III A	III A	III A	III A
Fork carriage width (6)		b ₃	mm	1070	1070	1070	1070
Ground clearance, laden, below mast		m ₁	mm	132	132	132	132
Ground clearance, centre of wheelbase		m ₂	mm	185	185	185	185
Aisle width for pallets 1000 × 1200 crossways		Ast	mm	3960	3960	3960	3960
Aisle width for pallets 800 × 1200 lengthways		Ast	mm	4160	4160	4160	4160
Turning radius		W _a	mm	2277	2277	2277	2277
Internal turning radius		b ₁₃	mm	618	618	618	618
Travel speed with / without load			km/h	19.1 20.3	19.1 20.3	17.8 18.2	22.0 22.7
Travel speed, laden/unladen, backwards			km/h	19.1 20.3	19.1 20.3	17.8 18.2	17.5 17.9
Lifting speed with / without load			m/s	0.53 0.55	0.53 0.55	0.55 0.56	0.49 0.53
Lowering speed with / without load			m/s	0.53 0.47	0.53 0.47	0.53 0.47	0.53 0.47
Drawbar pull, laden/unladen (7)			N	17054 11708	17054 11708	17380 10800	19270 10800
Gradeability - 1.6 km/h, with / without load (8)			%	16.9 25.0	16.9 25.0	17.6 26.1	18.5 26.1
Acceleration time, laden/unladen			s	5.3 4.5	5.3 4.5	4.9 4.2	5.4 4.6
Service brake				Hydraulic	Hydraulic	Hydraulic	Hydraulic
Fuel consumption according to VDI cycle (9)			l/h	3.1	3.1	3.0	3.2

H3.5FT FORTENS / FORTENS ADVANCE / FORTENS ADVANCE+

		GENERAL					
		1-1	1-2	1-3	1-4		
Manufacturer				HYSTER	HYSTER	HYSTER	HYSTER
Model designation				H3.5FT	H3.5FT	H3.5FT	H3.5FT
Model				Fortens	Fortens Advance	Fortens Advance+	Fortens Advance+
Engine / transmission				PSI 2.4L Electronic Powershift 1-speed	PSI 2.4L DuraMatch™ 1-speed	Kubota 2.5L DuraMatch™ 1-speed	Kubota 2.5L DuraMatch™ 2 2-speed
Brake type				Drum	Drum or Oil-immersed	Oil-immersed	Oil-immersed
Drive				LPG	LPG	LPG	LPG
Operator type				Seated	Seated	Seated	Seated
Rated capacity/rated load		Q ₁	t	3.5	3.5	3.5	3.5
Load centre distance		c	mm	500	500	500	500
Load distance, centre of drive axle to fork		x	mm	483	483	483	483
Wheelbase		y	mm	1700	1700	1700	1700
Service weight			kg	4799	4799	4799	4799
Axle loading with load, front / rear			kg	7319 980	7319 980	7319 980	7319 980
Axle loading without load, front / rear			kg	1797 3002	1797 3002	1797 3002	1797 3002
Tyre type				Superelastic	Superelastic	Superelastic	Superelastic
Tyre size, front				28 X 9 - 15	28 X 9 - 15	28 X 9 - 15	28 X 9 - 15
Tyre size, front				6.50 X 10	6.50 X 10	6.50 X 10	6.50 X 10
Wheels, number front / rear (x = driven wheels)				2x / 2	2x / 2	2x / 2	2x / 2
Tread, front		b ₁₀	mm	965	965	965	965
Tread, rear		b ₁₁	mm	967	967	967	967
Tilt of mast / fork carriage forward / backward			(°)	6 / 5	6 / 5	6 / 5	6 / 5
Height, mast lowered		h ₁	mm	2195	2195	2195	2195
Free lift (1)		h ₂	mm	140	140	140	140
Lift (1)		h ₃	mm	3055	3055	3055	3055
Height, mast extended (2)		h ₄	mm	3805	3805	3805	3805
Height of overhead guard (cabin) (3)		h ₆	mm	2185	2185	2185	2185
Cab height (open cab)			mm	2206	2206	2206	2206
Seat height relating to SIP (4)		h ₇	mm	1086	1086	1086	1086
Coupling height		h ₁₀	mm	390	390	390	390
Overall length		l ₁	mm	3734	3734	3734	3734
Length to face of forks		l ₂	mm	2734	2734	2734	2734
Overall width (5)		b ₁ /b ₂	mm	1186 / 1321 / 1601	1186 / 1321 / 1601	1186 / 1321 / 1601	1186 / 1321 / 1601
Fork dimensions DIN ISO 2331		s/e/l	mm	50 X 120 X 1000	50 X 120 X 1000	50 X 120 X 1000	50 X 120 X 1000
Fork carriage ISO 2328, class/type A, B			mm	III A	III A	III A	III A
Fork carriage width (6)		b ₃	mm	1070	1070	1070	1070
Ground clearance, laden, below mast		m ₁	mm	132	132	132	132
Ground clearance, centre of wheelbase		m ₂	mm	185	185	185	185
Aisle width for pallets 1000 × 1200 crossways		Ast	mm	4063	4063	4063	4063
Aisle width for pallets 800 × 1200 lengthways		Ast	mm	4263	4263	4263	4263
Turning radius		W _a	mm	2380	2380	2380	2380
Internal turning radius		b ₁₃	mm	647	647	647	647
Travel speed with / without load			km/h	19.1 20.3	19.1 20.3	17.8 18.2	22.0 22.7
Travel speed, laden/unladen, backwards			km/h	19.1 20.3	19.1 20.3	17.5 17.9	17.5 17.9
Lifting speed with / without load			m/s	0.53 0.55	0.53 0.55	0.56 0.56	0.48 0.53
Lowering speed with / without load			m/s	0.53 0.47	0.53 0.47	0.53 0.47	0.53 0.47
Drawbar pull, laden/unladen (7)			N	16905 12594	16905 12594	17230 10600	19120 10600
Gradeability - 1.6 km/h, with / without load (8)			%	15.0 23.0	15.0 23.0	15.6 23.9	16.4 23.9
Acceleration time, laden/unladen			s	5.6 4.6	5.6 4.6	5.2 4.3	5.6 4.7
Service brake				Hydraulic	Hydraulic	Hydraulic	Hydraulic
Fuel consumption according to VDI cycle (9)			l/h	3.3	3.3	3.2	3.4

POWERTRAINS

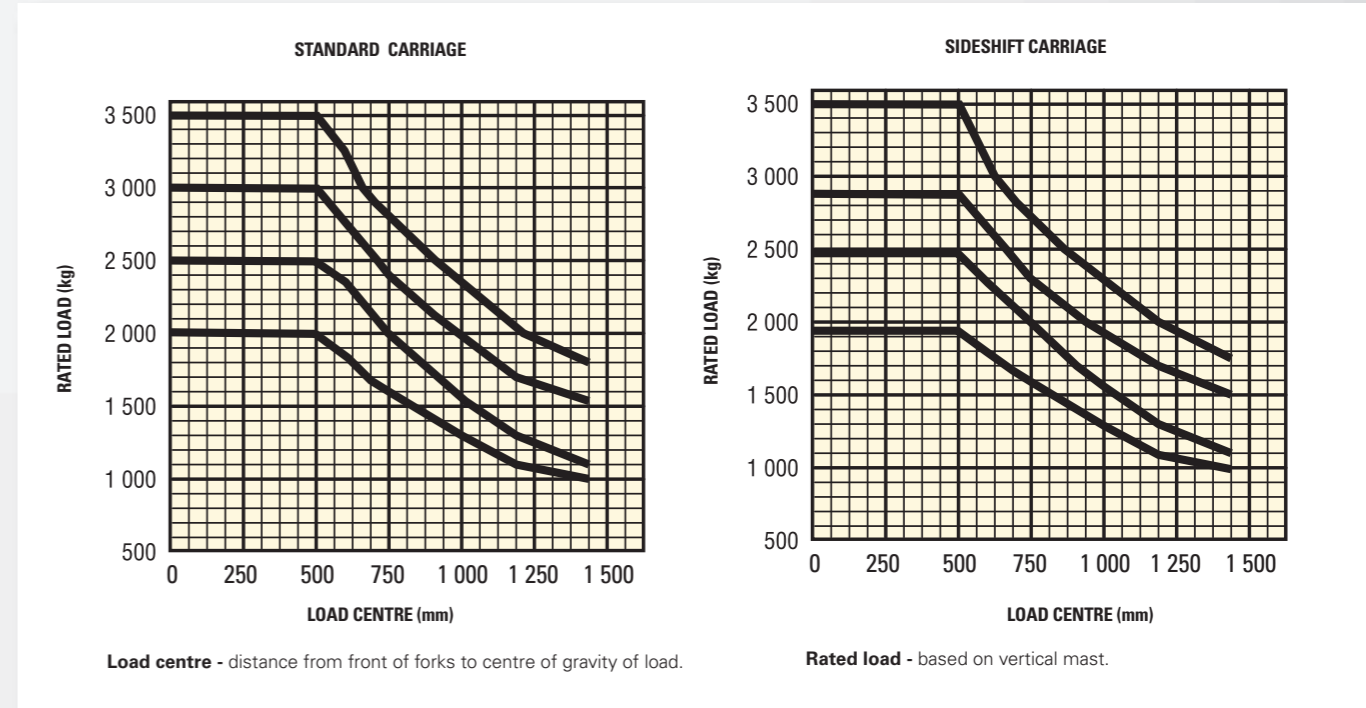
GENERAL				HYSTER		HYSTER	
1-1	Manufacturer			HYSTER		HYSTER	
1-2	Model designation			H2.0-3.5FT		H2.0-3.5FT	
1-3	Powertrain / drivetrain			LPG		LPG	

ENGINE				PSI/ 2.4L		Kubota / 2.5L	
7-1	Engine manufacturer / model			PSI/ 2.4L		Kubota / 2.5L	
7-1a	CE / EPA Tier compliance			Stage V		Stage V	
7-2	Engine power output according to ISO 1585	kW		33.9		34.2	
7-3	Rated speed	rpm		2700		2450	
7-3-1	Engine torque @rpm (1/min)	N-m		143 @ 1400		160 @ 1500	
7-4	Number of cylinders / displacement	# / cm ³		4 / 2659		4 / 3054	
7-8	Alternator output	A		120		120	
7-10	Battery voltage, rated capacity	V / Ah		24 / 200		24 / 200	

DRIVE				Automatic Powershift		Automatic Powershift	
8-1	Drive control / transmission	Type / #		Automatic Powershift		Automatic Powershift	
8-11	Service brake	Type		Drum or Oil immersed		Oil immersed	
8-12	Parking brake	Type		Mechanical		Mechanical	

MISC				0 - 155		0 - 155	
10-1	Operating pressure for attachments	bar		0 - 155		0 - 155	
10-2	Oil volume for attachments (10)	l/min		75		75	
10-3	Hydraulic oil tank, capacity	l		45.8		45.8	
10-7	Sound pressure level at the driver's seat (11)	Lpaz	dB(A)	79		79	
10-7-1	Guaranteed sound power 2001/14/EC	Lwaz	dB	102		102	
10-8	Towing coupling, type DIN 15170			Yes/Pin		Yes/Pin	

RATED CAPACITIES



STANDARD AND OPTIONAL EQUIPMENT

MODEL TABLE NOTES:

Specifications are affected by the condition of the vehicle and how it is equipped, as well as the nature and condition of the operating area. Inform your dealer of the nature and condition of the intended operating area when purchasing your Hyster® truck.

- (1) Top of forks
- (2) Without load backrest
- (3) h₆ subject to +/- 5 mm tolerance. H2.0FT - H2.5FT add 25mm when front tyre size 28X9-15 is selected
- (4) Full suspension seat in depressed position.
- (5) Standard/Wide/Dual. When wet axle selected values are (1186 / 1321 / 1601) for all capacities
- (6) add 32mm with load backrest
- (7) At 1.6km/h
- (8) At 4.8km/h
- (9) With Load Sensing Hydraulics
- (10) Variable
- (11) L_{paz}, measured according to the test cycles and based on the weighting values contained in EN12053

MAST CAPACITY TABLE NOTES:

- (1) With load backrest
- (2) Without load backrest
- (3) Wide tread or Dual Drive Wheels required for this rating
- (4) Dual Drive Wheels required for this rating

NOTICE:

Care must be exercised when handling elevated loads. Operators must be trained and must read, understand and follow the instructions contained in the Operating Manual.

All values are nominal values and they are subject to tolerances. For further information, please contact the manufacturer.

Hyster products are subject to change without notice.

Lift trucks illustrated may feature optional equipment. Values may vary with alternative configurations.

Specification data is based on VDI 2198.

PERFORMANCE	STD	OPT
Hyster Fortens	X	
Hyster Fortens Advance		X
Hyster Fortens Advance+		X
PSI 2.4L LPG engine, Stage V	X	
Kubota 2.5L LPG engine, Stage V		X
Anti-Clog Radiator	X	
High Capacity Anti-Clog Radiator		X
Radiator Screen		X
Upswept Exhaust with Catalytic Converter		X
Horizontal Exhaust with Catalytic Converter		X
Exhaust Wraps		X
Powertrain Protection System with Engine Shutdown	X	
High Air Intake	X	
High Air Intake with Precleaner		X
Heavy Duty Air Filter		X
Electronic Powershift - 1 Speed Transmission	X	
DuraMatch™ - 1 Speed Transmission		X
DuraMatch™ 2 - 2 Speed Transmission		X
Drum brakes	X	
Oilimmersed brakes		X
DRIVE	STD	OPT
Traction Speed Limiter pre-set to 13km/h (Adjustable)*		X
Multiple Traction Speed Limit 13/6 km/h (Adjustable)*		X
Indoor Speed Reduction*		X
Standard Tread		X

DRIVE (continued)	STD	OPT
Wide Tread		X
Dual Tread		X
7.00 x 12 Pneumatic Shaped Solid Drive Tyres - H2.0-2.5FT	X	
7.00 x 12 Non-Marking Pneumatic Shaped Solid Drive Tyres		X
7.00 x 12 Electrically Conducting Pneumatic Shaped Solid Drive Tyres		X
7.00 R12 Pneumatic Radial Drive Tyres		X
28 x 9 Pneumatic Shaped Solid Drive Tyres - H3.0-3.5FT	X	
28 x 9 Non-Marking Pneumatic Shaped Solid Drive Tyres		X
28 x 9 Electrically Conducting Pneumatic Shaped Solid Drive Tyres		X
28 x 9-15 Pneumatic Shaped Solid Special Wide Rim Drive Tyres		X
225/75 R15 Pneumatic Radial Drive Tyres		X
6.00 x 9 Pneumatic Shaped Solid Steer Tyres - H2.0-2.5FT	X	
6.00 x 9 Pneumatic Radial Steer Tyres		X
6.00 x 9 Non-Marking Pneumatic Shaped Solid Steer Tyres		X
6.00 x 9 Electrically Conducting Pneumatic Shaped Solid Steer Tyres		X
6.50 x 10 Pneumatic Shaped Solid Steer Tyres - H3.0-3.5FT	X	
6.50 x 10 Pneumatic Radial Steer Tyres		X
6.50 x 10 Non-Marking Pneumatic Shaped Solid Steer Tyres		X
6.50 x 10 Electrically Conducting Pneumatic Shaped Solid Steer Tyres		X
LIFT	STD	OPT
2 Stage Limited Free Lift	X	
2 Stage Full Free Lift		X
3 Stage Full Free Lift		X
4 Stage Full Free Lift		X

CE Safety: This truck conforms to the current EU requirements.

STANDARD AND OPTIONAL EQUIPMENT

LIFT (continued)	STD	OPT
Lift Height - 3290mm (2170mm Lowered Height) - H2.0-2.5FT	X	
Lift Height - 3105mm (2195mm Lowered Height) - H3.0-3.5FT	X	
Various other Lift Heights		X
Mast tilt - 10° Forward / 6° Back		X
Mast tilt - 6° Forward / 10° Back		X
Mast tilt - 6° Forward / 6° Back		X
Mast tilt - 6° Forward / 5° Back	X	
Mast tilt - 6° Forward / 4° Back		X
Mast tilt - 10° Forward / 5° Back		X
Tilt Speed Restrictor - 1 degree per second (Mechanical)		X
Tilt Speed Restrictor - 1 degree per second (Electronically Adjusted)		X
Hydraulic Accumulator		X
Auxiliary Hydraulic System Cooler		X
High Temperature Hydraulic Fluid		X
HANDLING	STD	OPT
Auto Speed Hydraulics		X
Hydraulic controls, designed for clamping applications		X
Hydraulic Control with Return to Set Tilt		X
3 Hydraulic Functions (1 Auxiliary)	X	
4 Hydraulic Functions (2 Auxiliary)		X
5 Hydraulic Functions (3 Auxiliary)		X
Without Hose Group	X	
3 Functions Hose Group (1 Auxiliary)		X
4 Functions Hose Group (2 Auxiliary)		X
Attachment Extension Tubes - 1 Pair		X
Attachment Extension Tubes - 2 Pair		X
1070mm Hook Type Carriage (Class 2) - H2.0-2.5FT	X	
1070mm Carriage (Class 3) - H3.0-3.5FT	X	
1070mm Integral Sideshift Carriage		X
1070mm Integral Sideshift Carriage with Fork Positioner		X
1220mm Carriage		X
1220mm Integral Sideshift Carriage		X
MEYER Double Pallet Handler : 6-5204G a (EURO PALLETS)		X
MEYER Double Pallet Handler : 21PH22B-56SG-2A (CHEP/UK PALLETS)		X
MEYER Double Pallet Handler : 6-5206G a (EURO PALLETS)		X
MEYER Double Pallet Handler : 21PH26B-56SG-3A (CHEP/UK PALLETS)		X
Bolzoni Auramo Rotator RC 20 10A		X
Bolzoni Auramo Rotator RC 25 10A		X
Bolzoni Auramo Rotator RC 25 107A		X
Bolzoni Auramo Rotator RC 35 11B		X
1220mm High load backrest	X	
1000mm x 100mm x 40mm Hook Type Standard Taper Forks (Class 2) - H2.0-2.5FT	X	
1000mm x 120mm x 50mm Forks (Class 3) - H3.0-3.5FT	X	
1200mm x 100mm x 40mm Hook Type Standard Taper Forks - Class 2		X
Other various fork sizes		X
VISIBILITY	STD	OPT
Work Light Package - 2 Front and 1 Rear LED Work Lights with Side, Stop, Tail, Indicator & Reverse Lights - H3.0-3.5FT	X	
Work Light Package - 2 Front and 1 Rear Halogen Work Lights with Side, Stop, Tail, Indicator & Reverse Lights - H2.0-2.5FT		X
Automatic Lights		X
Mast Mounted LED Lights		X
LED Work Light Protection		X
ERGONOMICS	STD	OPT
2160mm High Overhead Guard - H2.0-2.5FT	X	
2185mm Overhead Guard - H3.0-3.5FT	X	
2185mm Drive In Racking Overhead Guard (Grid Style)		X
Raised Operator Compartment		X

ERGONOMICS (continued)	STD	OPT
Load Weight Display		X
Operator Password	X	
Operator Pre-Shift Electronic Checklist		X
Panoramic Mirror		X
Dual Mirrors Side View		X
Rear Drive Handle with Horn Button	X	
Full Suspension Vinyl Seat		X
Full Suspension Cloth		X
Full Suspension Swivel Vinyl		X
Full Suspension Swivel Cloth		X
Air Ride Full Suspension Vinyl	X	
Air Ride Full Suspension Cloth		X
Heated Full Suspension Cloth		X
High Backrest Lumbar Support Vinyl		X
High Backrest Lumbar Support Cloth		X
Grammer Air Suspension Vinyl		X
Grammer Air Suspension Cloth		X
Air-Suspension Seat FLA Vinyl		X
Air-Suspension Seat FLA Cloth		X
Standard Seat Belt	X	
Hi-Vis Red Seat Belt		X
Hi-Vis Red Seat Belt with Sequential Interlock		X
Manual lever hydraulic controls	X	
TouchPoint™, mini lever hydraulic controls		X
Joystick hydraulic controls		X
Steering wheel with spinner knob		X
Directional Lever	X	
Monotrol		X
Directional Control Switch (Integrated in Arm rest)		X
Dash Mounted 12V Auxiliary Power Outlet		X
CAB	STD	OPT
Full Steel Modular Cab		X
Full Steel Modular Cab with Low Noise Cab Kit		X
Steel Modular Cab with PVC Doors		X
Top Sun Blind for Cab Trucks		X
Front Sun Blind for Cab Trucks		X
Auxiliary Equipment Mounting Bar		X
PVC Top Screen		X
Glass Top Screen		X
Laminated Glass Front and Rear Screen		X
Laminated Glass Front and Rear Screen and Fixed Door Windows		X
Laminated Glass Front Screen		X
Solid Top Screen + Front Screen with Washer/Wiper		X
Solid Top Screen + Front & Rear Screen with Washer/Wipers		X
Solid Top Screen + Front & Rear Screen with Washer/Wipers + PVC Doors		X
OPERATION	STD	OPT
Swing Out LPG Tank Bracket	X	
EZ Tank Swing Out and Drop Down LPG Tank Bracket		X
Pressure LPG Fuel Level Sensor	X	
Optical LPG Fuel Level Sensor		X
Acme Screw Connector (Non German, UK)	X	
Union Nut with Handle Connector (German, Balkans, Austria)		X
Impact Monitor with 30 Second Shutdown		X
Impact Monitor with Immediate Shutdown		X
System Monitoring Package	X	
Premium Monitoring Package		X
Vented Hood		X
Non-Vented Hood	X	
Belly Pan		X
Full underbody mesh belly pan		X

STANDARD AND OPTIONAL EQUIPMENT

OPERATION (continued)	STD	OPT
Visible alarm – Amber strobe light		X
Audible alarm – Reverse direction activated		X
Audible alarm – Reverse direction white noise		X
Hazard Warning Lights - Switch Activated		X
Pedestrian Awareness Light (P.A.L.)		X
Front Pedestrian Awareness Light (P.A.L.)		X
Red Line (Side) Pedestrian Awareness Lights (P.A.L.)		X
Seat Switch Activated Engine, Lights and Display Shutdown System		X
Signal Activated Engine Shutdown System		X
Battery Disconnect		X
Key switch start	X	
Push Button with Operator Password		X
Keyless with Auxiliary Key Switch		X
Single Pedal Inch Brake	X	
Hyster Tracker wireless asset management system		X

APPEARANCE	STD	OPT
Hyster yellow paint base truck	X	
Special paint base truck		X
Special Paint for Truck and Cab		X
PACKAGES	STD	OPT
Cool Truck Package which includes High Air Intake with Precleaner, Exhaust Wraps, Powertain Protection System with Engine Shutdown, Premium Monitoring, Hydraulic Accumulator, High Temperature Hydraulic Fluid and Vented Hood		X
Paper Applications Kit		X
SUPPLEMENTAL	STD	OPT
Literature package	X	
CE certification	X	
Warranty: 24 Months / 4,000 Hours manufacturer's warranty	X	
Warranty: 36 Months / 6,000 Hours extended warranty		X

Please refer to the Price List for full option configurations. Other options available through Special Products Engineering Department (SPED). Contact Hyster for details.

PRODUCT FEATURES

As the first choice materials handling partner for the world's demanding operations, Hyster delivers value added solutions and dependable products through the strongest distribution network in the industry.

The Fortens™ range offers a highly configurable truck from the dependable Fortens with a Powershift transmission to the extremely productive Fortens™ Advance+ truck which combines the unique and patented DuraMatch™ transmission with quiet and efficient Kubota engines. Quiet roomy cabs with air suspension seats, TouchPoint™ mini levers and a host of operator support features make Fortens the right choice to keep operators comfortable and productive over long shifts, its low fuel consumption, reliability and serviceability make it the right business choice. **Hyster Fortens™ - the solution to your application needs.**

Protected Powertrain

The durable powertrain is computer controlled, protected and managed by the Pacesetter™ VSM electronic management system, featuring a CANbus communications network. The VSM ensures maximum uptime and dependability, as it allows for fast and accurate trouble-shooting, facilitates first-time fixes and can help to minimise costly "parts swapping".

DuraMatch™ - The World's Most Advanced Powershift Transmission

The electronically controlled DuraMatch™ transmissions provide smoother directional changes to eliminate shock loading and extend the life of the clutch packs. These transmissions offer unique and patented features, managed by the VSM, such as the Auto Deceleration System, which contributes to extending brake and tyre life and so reduces the frequency of required changes and ultimately your overall operating costs.

Autospeed Hydraulics

If the Autospeed Hydraulics option is selected when lifting a load the engine speed is automatically increased to provide full hydraulic power. The Pacesetter VSM maintains the current

travel speed (or prevents travel) until the operator steps on the accelerator. No operator inching is required and productivity and efficiency is increased by simplifying operator actions.

Hassle-Free Electrical & Hydraulic Systems

The CANbus system ensures reliable operation of the truck, providing reduced wiring complexity and keeps them away from heat sources. Nonmechanical, Hall-Effect sensors and switches are environmentally sealed to IP66 standards to keep out water and debris (allowing the truck to be pressure washable) and are designed to outlast the life of the truck. The Hyster Fortens™ is equipped with hassle-free hydraulic systems, featuring Leak-free O-ring face seal fittings which reduce leaks for enhanced reliability.

More Dependable in Demanding Applications

A choice of aluminium core radiators and a superior counterweight tunnel design coupled with a "pusher" type fan provide the industry's best cooling, ensuring that the truck operates at lower temperatures, which results in increased component life and limits the risk of overheating, particularly in

heavy duty applications. In addition, the long term durability of the truck is enhanced by the available powertrain protection systems.

High-performance In-tank Hydraulic Filter

Superior filtration system increases life span of all hydraulic components such as hoses and pumps.

Significant savings in ownership costs per lift truck – each year

The Hyster Fortens™ has been designed to help you lower your ownership costs in all types of applications, through offering a wide range of engine and transmission options to suit the application need. In head-to-head comparisons with the leading competitors' comparable trucks, the Fortens™ range was shown to offer significant annual savings in operating consumable costs, such as fuel efficiency, longer tyre life, reduced brake wear and decreased service time, which results in the lowest cost per load moved.

STRONG PARTNERS. TOUGH TRUCKS.™

FOR DEMANDING OPERATIONS, EVERYWHERE.

Hyster® supplies a complete range of warehouse equipment, IC and electric counterbalanced trucks, container handlers and reach stackers. Hyster® is committed to being much more than a lift truck supplier.

Our aim is to offer a complete partnership capable of responding to the full spectrum of material handling issues: whether you need professional consultancy on your fleet management, fully qualified service support, or reliable parts supply, you can depend on Hyster®.

Our network of highly trained dealers provides expert, responsive local support. They can offer cost-effective finance packages and introduce effectively managed maintenance programmes to ensure that you get the best possible value. Our business is dealing with your material handling needs so you can focus on the success of your business today and in the future.





HYSTER EUROPE

Centennial House, Frimley Business Park, Frimley, Surrey, GU16 7SG, England.

Tel: +44 (0) 1276 538500

 www.hyster.eu  infoeurope@hyster.com  [/HysterEurope](https://www.facebook.com/HysterEurope)  [@HysterEurope](https://twitter.com/HysterEurope)  [/HysterEurope](https://www.youtube.com/HysterEurope)  www.hyster-bigtrucks.com

HYSTER-YALE UK LIMITED trading as Hyster Europe. Registered Address: Centennial House, Building 4.5, Frimley Business Park, Frimley, Surrey GU16 7SG, United Kingdom. Registered in England and Wales. Company Registration Number: 02636775.

©2019 HYSTER-YALE UK LIMITED, all rights reserved. HYSTER, , STRONG PARTNERS. TOUGH TRUCKS., FORTENS, DURAMATCH, TOUCHPOINT, MONOTROL and  are trademarks of HYSTER-YALE Group, Inc. Yanmar is a trademark of Yanmar Co. Ltd. Kubota is a trademark of Kubota Corporation. Grammer is a trademark of Grammer Seating Systems Ltd. BOLZONI is a trademark of Bolzoni SpA. AURAMO is a trademark of Auramo Oy. MEYER is a trademark of Hans H. Meyer, GmbH.

Hyster products are subject to change without notice. Forklift trucks illustrated may feature optional equipment.

