

SPECIFICATIONS GUIDE

ELECTRIC RANGE 2015/2016



JLG[®]
reachingout.[™]

ELECTRIC RANGE 2015/2016

**Articulating boom lifts
Telescopic boom lifts
Scissor lifts
Mast boom lifts
Compact crawlers
Vertical personnel lifts**

SPECIFICATIONS

ARTICULATING BOOM LIFTS

E300 Series.....	4 - 5
E/M400 Series.....	6 - 7
E/M450 Series	8 - 9

TELESCOPIC BOOM LIFTS

E/M600 Series.....	10 - 11
--------------------	---------

SCISSOR LIFTS

ES Series.....	12 - 13
RS Series	14 - 15
LE Series.....	16 - 17

MAST BOOM LIFTS

Toucan 8E, 10E, 12E, 12E Plus.....	18 - 19
------------------------------------	---------

COMPACT CRAWLER BOOM LIFTS

X14J, X17J, X19J, X23J.....	20 - 21
X17J Plus, X20J Plus, X26J Plus.....	22 - 23

VERTICAL PERSONNEL LIFTS

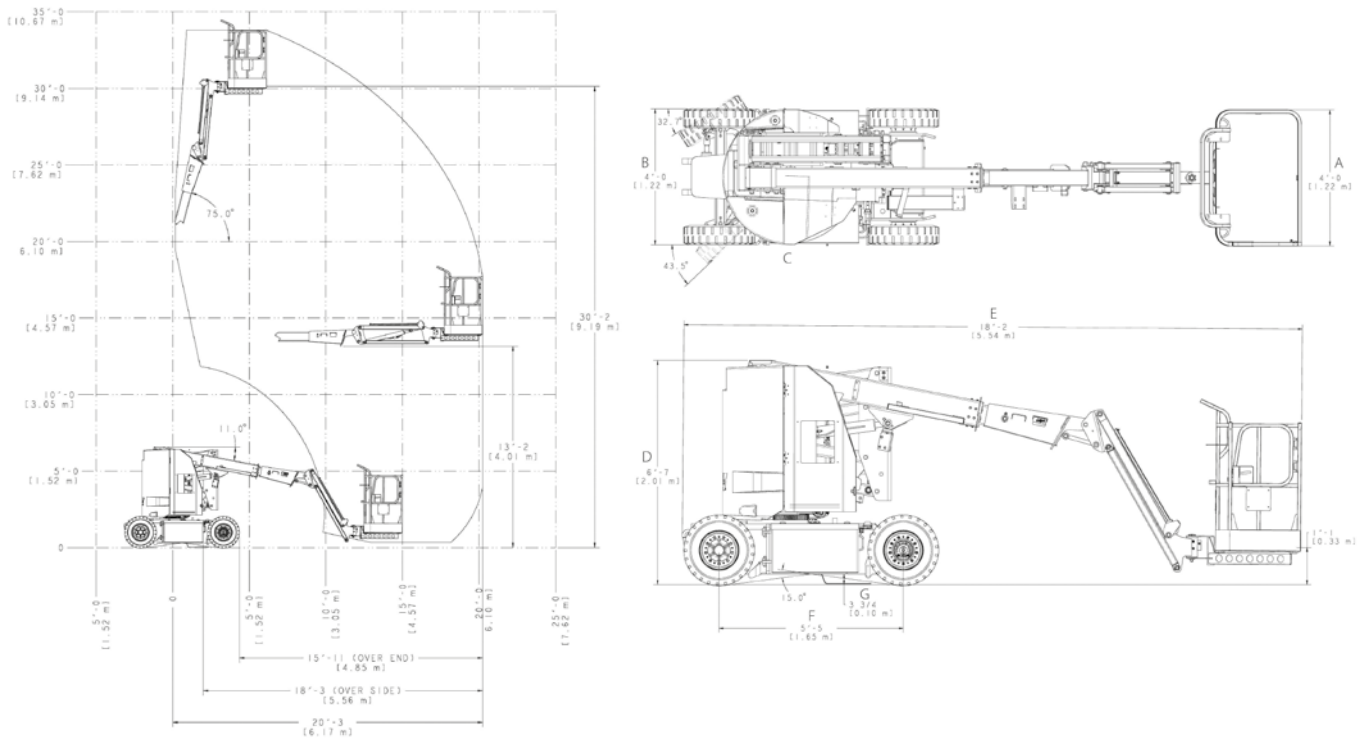
Toucan Duo.....	24 - 25
MVL Series	26 - 27
10MSP.....	28 - 29
1230ES.....	30 - 31
AccessMaster® Series	32 - 33
Standard Features & Available Options.....	34 - 48

Articulating Boom Lifts

	E300AJ	E300AJP
Working Height	11.19 m	10.97 m
Platform Height	9.19 m	8.97 m
Horizontal Outreach	6.17 m	6.12 m
Up and Over Height	4.01 m	4.01 m
Swing (non-continuous)	350°	350°
Platform Capacity - Unrestricted	230 kg	230 kg
Platform Rotator (Hydraulic)	180°	180°
Jib - Overall Length	1.22 m	1.22 m
Jib - Range of articulation	144° Vertical (+84°/ -60°)	144° Vertical (+84°/ -60°)
JibPLUS® - Range of Articulation	—	180° Horizontal
A. Platform Size	0.76 m x 1.22 m	0.76 m x 1.22 m
B. Overall Width	1.22 m	1.22 m
C. Tailswing (working condition)	Zero	Zero
D. Stowed Height	2.01 m	2.01 m
E. Stowed Length	5.54 m	5.74 m
F. Wheelbase	1.65 m	1.65 m
G. Ground Clearance	0.10 m	0.10 m
Machine weight ¹	6,900 kg	7,100 kg
Maximum Ground Bearing Pressure	11.95 kg/cm ²	11.95 kg/cm ²
Drive Speed	7.2 km/h	7.2 km/h
Gradeability	25%	25%
Tyres	25 x 7-12 Non marking	25 x 7-12 Non marking
Turning Radius - Inside	1.52 m	1.52 m
Turning Radius - Outside	3.10 m	3.10 m
Electrical System	48V AC	48V AC
Batteries	8 x 6V 305A/hr	8 x 6V 305A/hr
Drive Motors	Dual AC Traction	Dual AC Traction
Brakes	Automatic Spring Applied	Automatic Spring Applied
Hydraulic Motor	Perm. Magnet	Perm. Magnet
Hydraulic Pump	Gear Pump	Gear Pump
Hydraulic System	23.0 L	23.0 L

¹ Certain options or country standards may increase weight and/or dimensions.

JLG Model E300AJ



JLG Model E300AJP

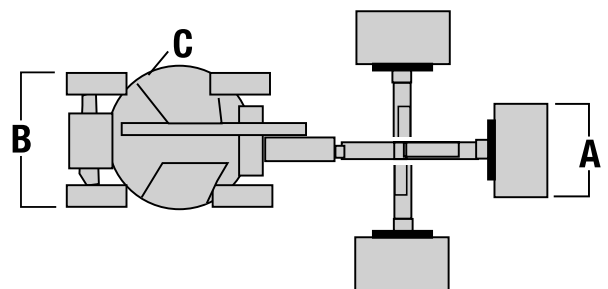
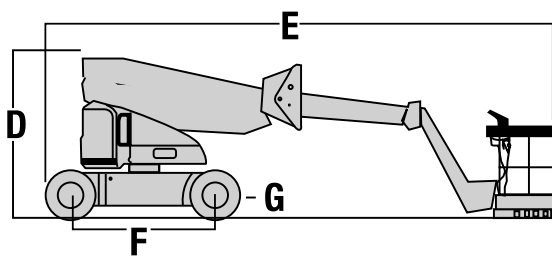
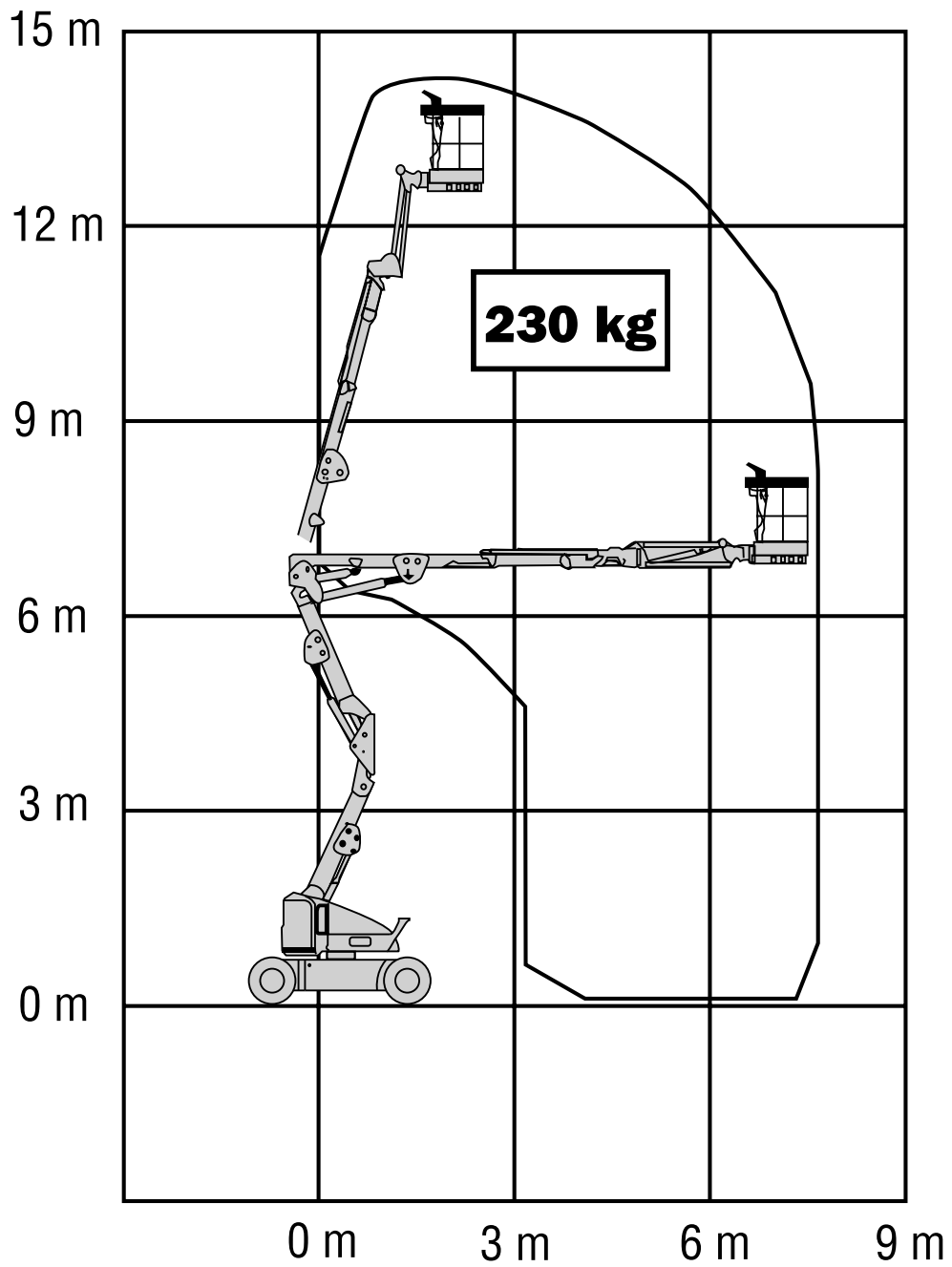


Articulating Boom Lifts

	E400AJP	M400AJP	E400AJPn	M400AJPn
Working Height	14.19 m	14.19 m	14.19 m	14.19 m
Platform Height	12.19 m	12.19 m	12.19 m	12.19 m
Horizontal Outreach	6.83 m	6.83 m	6.83 m	6.83 m
Up and Over Height	6.55 m	6.55 m	6.55 m	6.55 m
Swing (non-continuous)	360°	360°	360°	360°
Platform Capacity - Unrestricted	230 kg	230 kg	230 kg	230 kg
Platform Rotator (Hydraulic)	180°	180°	180°	180°
Jib - Overall Length	1.24 m	1.24 m	1.24 m	1.24 m
Jib - Range of articulation	144° (+84°/-60°)	144° (+84°/-60°)	144° (+84°/-60°)	144° (+84°/-60°)
JibPLUS® - Range of articulation	180° Horizontal	180° Horizontal	180° Horizontal	180° Horizontal
A. Platform Size	0.76 m x 1.52 m	0.76 m x 1.52 m	0.76 m x 1.22 m	0.76 m x 1.22 m
B. Overall Width	1.75 m	1.75 m	1.50 m	1.50 m
C. Tailswing (working condition)	Zero	Zero	0.10 m	0.10 m
D. Stowed Height	2.01 m	2.01 m	1.97 m	1.97 m
E. Stowed Length	6.71 m	6.71 m	6.71 m	6.71 m
F. Wheelbase	2.01 m	2.01 m	2.01 m	2.01 m
G. Ground Clearance	0.22 m	0.22 m	0.13 m	0.13 m
Machine weight ¹	6,350 kg	6,350 kg	6,850 kg	6,850 kg
Maximum Ground Bearing Pressure	5.2 kg/cm ²	5.2 kg/cm ²	13.0 kg/cm ²	13.0 kg/cm ²
Drive Speed	5.1 km/h	5.1 km/h	4.8 km/h	4.8 km/h
Gradeability	30%	30%	30%	30%
Tyres	240/55-17.5 Foam Filled		22 x 6 x 17.05 (front) Solid Non-mark 25 x 7-12 (rear) Solid Non-mark	
Turning Radius - Inside	0.61 m	0.61 m	0.86 m	0.86 m
Turning Radius - Outside	3.15 m	3.15 m	3.15 m	3.15 m
Electrical System	48V DC	48V DC	48V DC	48V DC
Batteries	8 x 6V 370A/hr	8 x 6V 370A/hr	8 x 6V 370A/hr	8 x 6V 370A/hr
Drive Motors	Dual AC Traction	Dual AC Traction	Dual AC Traction	Dual AC Traction
Brakes	Automatic Spring Applied	Automatic Spring Applied	Automatic Spring Applied	Automatic Spring Applied
Hydraulic Motor	Perm. Magnet	Perm. Magnet	Perm. Magnet	Perm. Magnet
Hydraulic Pump	Gear Pump	Gear Pump	Gear Pump	Gear Pump
Hydraulic Reservoir	20.0 L	20.0 L	20.0 L	20.0 L
Generator Set - Fully Automatic	—	Kubota OC60Air-cooled 5 kW	—	Kubota OC60Air-cooled 5 kW
Generator Fuel Tank	—	15.0 L	—	15.0 L

¹ Certain options or country standards may increase weight and/or dimensions.

JLG Models E400AJP, M400AJP, E400AJPn & M400AJPn

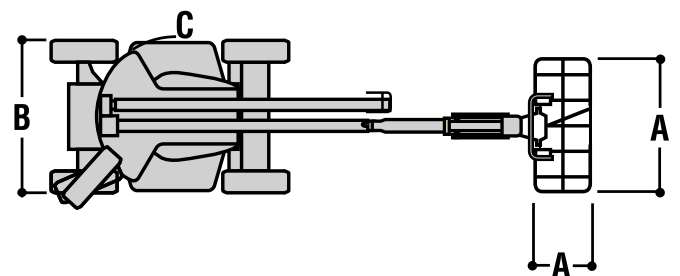
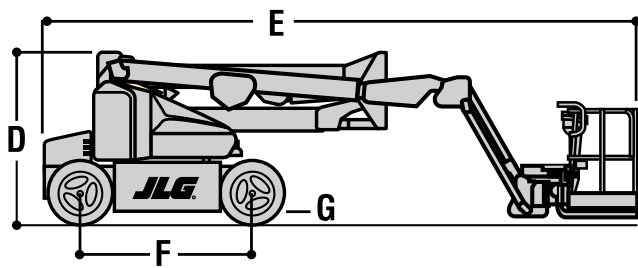
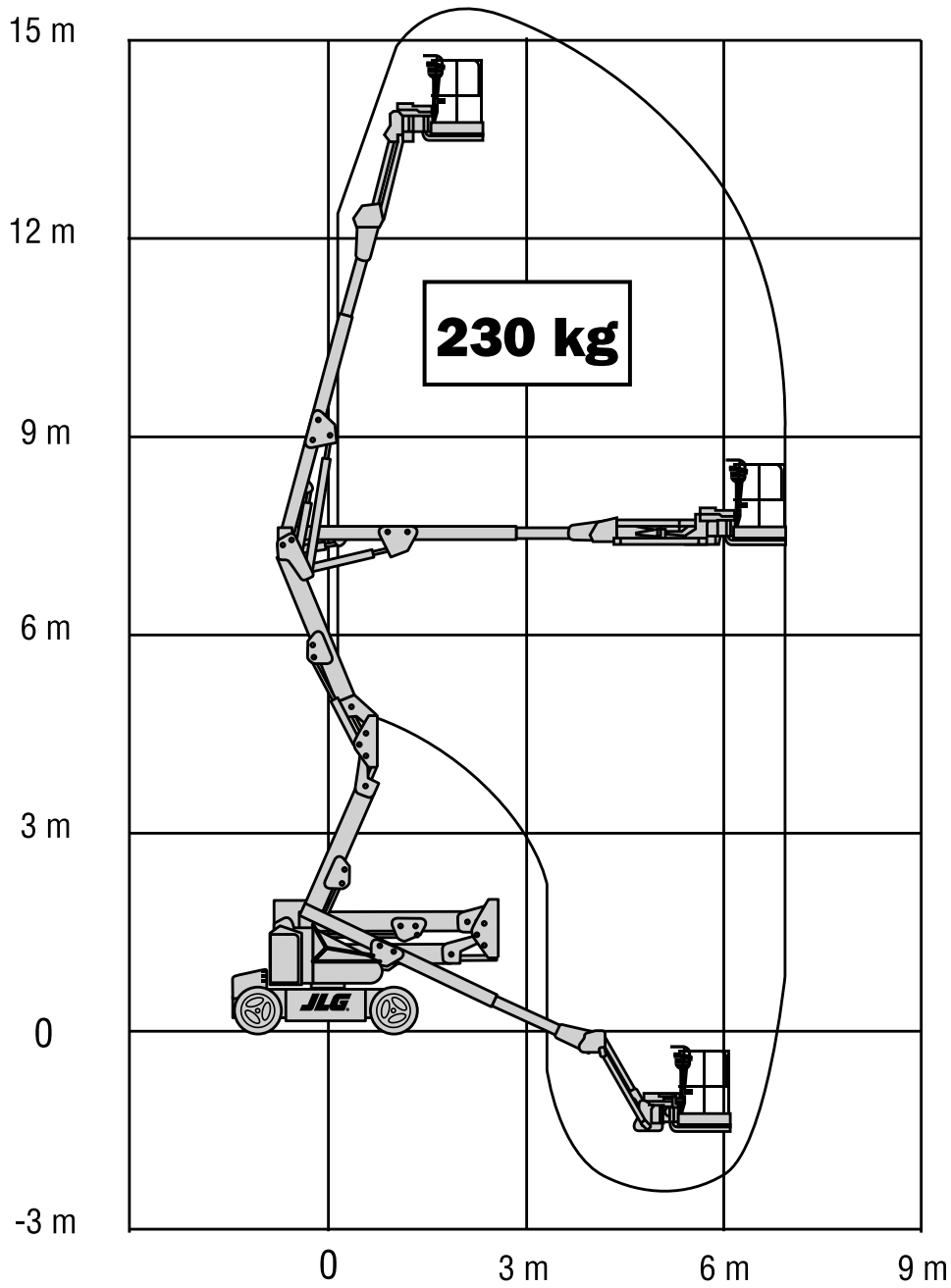


Articulating Boom Lifts

	E450AJ	M450AJ
Working Height	15.72 m	15.72 m
Platform Height	13.72 m	13.72 m
Horizontal Outreach	7.24 m	7.24 m
Up and Over Height	7.70 m	7.70 m
Swing (non-continuous)	360°	360°
Platform Capacity - Unrestricted	230 kg	230 kg
Platform Rotator (Hydraulic)	180°	180°
Jib - Overall Length	1.24 m	1.24 m
Jib - Range of articulation	144° (+84°/ -60°)	144° (+84°/ -60°)
A. Platform Size	0.76 m x 1.52 m	0.76 m x 1.52 m
B. Overall Width	1.75 m	1.75 m
C. Tailswing (working condition)	Zero	Zero
D. Stowed Height	2.01 m	2.01 m
E. Stowed Length	6.45 m	6.45 m
F. Wheelbase	2.01 m	2.01 m
G. Ground Clearance	0.20 m	0.20 m
Machine weight ¹	6,670 kg	6,700 kg
Maximum Ground Bearing Pressure	5.3 kg/cm ²	5.3 kg/cm ²
Drive Speed	5.2 km/h	5.2 km/h
Gradeability	30%	30%
Tyres	240/55-17.5 Foam Filled	240/55-17.5 Foam Filled
Turning Radius - Inside	0.61 m	0.61 m
Turning Radius - Outside	3.15 m	3.15 m
Electrical System	48V DC	48V DC
Batteries	8 x 6V 370A/hr	8 x 6V 370A/hr
Drive Motors	Dual AC Traction	Dual AC Traction
Brakes	Automatic Spring Applied	Automatic Spring Applied
Hydraulic Motor	Perm. Magnet	Perm. Magnet
Hydraulic Pump	Gear Pump	Gear Pump
Hydraulic Reservoir	20.0 L	20.0 L
Generator Set - Fully Automatic	—	Kubota OC60 Air-cooled 5 kW
Generator Fuel Tank	—	15.0 L

¹ Certain options or country standards may increase weight and/or dimensions.

JLG Models E450AJ & M450AJ

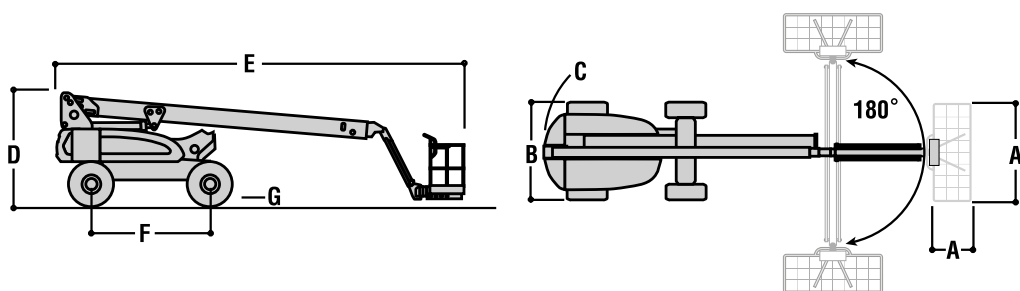
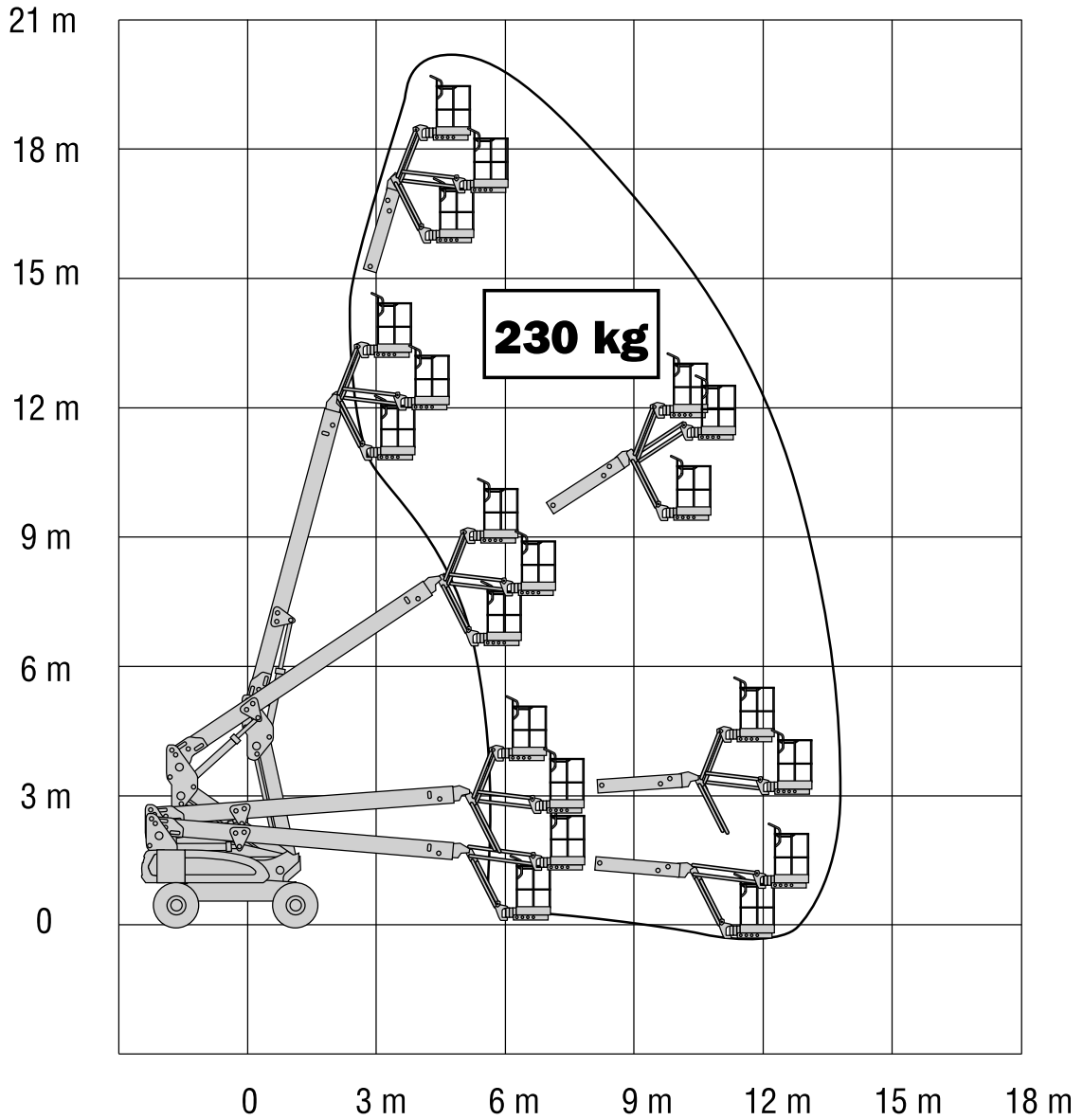


Telescopic Boom Lifts

	E600J	M600J	E600JP	M600JP
Working Height	20.36 m	20.36 m	20.39 m	20.39 m
Platform Height	18.36 m	18.36 m	18.39 m	18.39 m
Horizontal Outreach	13.19 m	13.19 m	13.54 m	13.54 m
Swing (non-continuous)	400°	400°	400°	400°
Platform Capacity - Unrestricted	230 kg	230 kg	230 kg	230 kg
Platform Rotator (Hydraulic)	180°	180°	180°	180°
Jib - Overall Length	1.24 m	1.24 m	1.24 m	1.24 m
Jib - Range of articulation	145° Vertical (+75°/ -70°)	145° Vertical (+75°/ -70°)	145° Vertical (+89°/ -56°)	145° Vertical (+89°/ -56°)
JibPLUS® - Range of Articulation	—	—	180° Horizontal	180° Horizontal
A. Platform Size	0.76 m x 1.83 m	0.76 m x 1.83 m	0.76 m x 1.83 m	0.76 m x 1.83 m
B. Overall Width	2.42 m	2.42 m	2.42 m	2.42 m
C. Tailswing (working condition)	1.23 m	1.23 m	1.23 m	1.23 m
D. Stowed Height	2.54 m	2.54 m	2.54 m	2.54 m
E. Stowed Length	9.37 m	9.37 m	10.15 m	10.15 m
F. Wheelbase	2.74 m	2.74 m	2.74 m	2.74 m
G. Ground Clearance	0.30 m	0.30 m	0.30 m	0.30 m
Maximum Ground Bearing Pressure	4.1 kg/cm ²	4.1 kg/cm ²	3.9 kg/cm ²	3.9 kg/cm ²
Machine weight ¹	7,765 kg	7,965 kg	7,815 kg	8,015 kg
Drive Speed	4.8 km/h	4.8 km/h	4.8 km/h	4.8 km/h
Gradeability	30%	30%	30%	30%
Tyres (foam filled/non-marking)	36/14LL-22.5	36/14LL-22.5	36/14LL-22.5	36/14LL-22.5
Axle Oscillation	0.20 m	0.20 m	0.20 m	0.20 m
Turning Radius - Inside	1.22 m	1.22 m	1.22 m	1.22 m
Turning Radius - Outside	4.64 m	4.64 m	4.64 m	4.64 m
Electrical System	48V DC	48V DC	48V DC	48V DC
Batteries	8 x 6V 415A/hr	8 x 6V 415A/hr	8 x 6V 415A/hr	8 x 6V 415A/hr
Drive Motors	Dual Electric Traction	Dual Electric Traction	Dual Electric Traction	Dual Electric Traction
Brakes	Automatic Spring Applied	Automatic Spring Applied	Automatic Spring Applied	Automatic Spring Applied
Hydraulic Pump Motor	Perm. Magnet	Perm. Magnet	Perm. Magnet	Perm. Magnet
Hydraulic Pump	Gear Pump	Gear Pump	Gear Pump	Gear Pump
Hydraulic System	80.0 L	80.0 L	80.0 L	80.0 L
Generator Set - Fully Automatic	—	Kubota OC60 Air-cooled 5 kW	—	Kubota OC60 Air-cooled 5 kW
Generator Fuel Tank	—	50.0 L	—	50.0 L

¹ Certain options or country standards may increase weight and/or dimensions.

JLG Models E600J, M600J, E600JP & M600JP



Scissor Lifts

	1930ES	2032ES	2632ES	2646ES	3246ES
Working Height	7.72 m	8.10 m	9.77 m	9.92 m	11.68 m
A. Platform Height - Elevated	5.72 m	6.10 m	7.77 m	7.92 m	9.68 m
B. Platform Height - Lowered	0.89 m	1.10 m	1.23 m	1.26 m	1.26 m
C. Platform Railing Height	1.10 m	1.10 m	1.10 m	1.10 m	1.10 m
D. Stowed Height (Rails Folded) ¹	1.59 m	1.87 m	1.98 m	2.01 m	2.01 m
E. Platform Size (W x L)	0.76 m x 1.87 m	0.76 m x 2.30 m	0.76 m x 2.30 m	1.12 m x 2.50 m	1.12 m x 2.50 m
F. Deck Extension	0.90 m	0.90 m	0.90 m	1.27 m	1.27 m
G. Overall Width	0.76 m	0.81 m	0.81 m	1.17 m	1.17 m
H. Overall Length	1.87 m	2.30 m	2.30 m	2.50 m	2.50 m
I. Wheelbase	1.60 m	1.88 m	1.88 m	2.09 m	2.09 m
J. Ground Clearance	0.09 m	0.09 m	0.09 m	0.13 m	0.13 m
Platform Capacity ²	230 kg	360 kg	230 kg	450 kg	320 kg
Capacity on Optional Deck Extension	120 kg	120 kg	120 kg	120 kg	120 kg
Lift/Lower Time	20/30 sec.	30/40 sec.	40/40 sec.	40/50 sec.	50/60 sec.
Maximum Drive Height	5.72 m	6.10 m	7.77 m	7.92 m	9.68 m
Machine weight ³	1,565 kg	1,970 kg	2,135 kg	2,740 kg	2,905 kg
Maximum Ground Bearing Pressure	8.73 kg/cm ²	6.33 kg/cm ²	6.33 kg/cm ²	6.98 kg/cm ²	6.98 kg/cm ²
Drive Speed - Lowered	4.8 km/h	4.4 km/h	4.4 km/h	4.0 km/h	4.0 km/h
Drive Speed - Elevated	0.8 km/h	0.8 km/h	0.8 km/h	0.8 km/h	0.8 km/h
Gradeability	25%	25%	25%	25%	25%
Turning Radius - Inside	Zero	Zero	Zero	Zero	Zero
Turning Radius - Outside	1.75 m	2.06 m	2.06 m	2.41 m	2.41 m
Tyres (Non-Marking Solid)	323 x 100	406 x 125	406 x 125	406 x 125	406 x 125
Brakes	Automatic Friction - Front	Automatic Friction - Front	Automatic Friction - Front	Automatic Friction - Front	Automatic Friction - Front
Drive	24V Electric 6 kW	24V Electric 6 kW	24V Electric 6 kW	24V Electric 6 kW	24V Electric 6 kW
Batteries	4 x 6V 220A/hr	4 x 6V 220A/hr	4 x 6V 220A/hr	4 x 6V 220A/hr	4 x 6V 220A/hr
Charger (120/240V - 50/60HZ)	20A Automatic	20A Automatic	20A Automatic	20A Automatic	20A Automatic
Pump Motor	3 kW	3 kW	3 kW	3 kW	3 kW
Hydraulic System	8.3 L	10.6 L	10.6 L	20.0 L	20.0 L

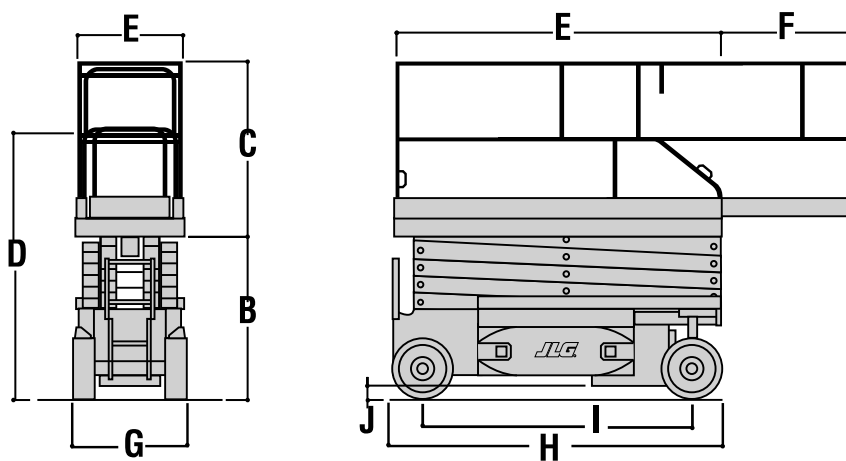
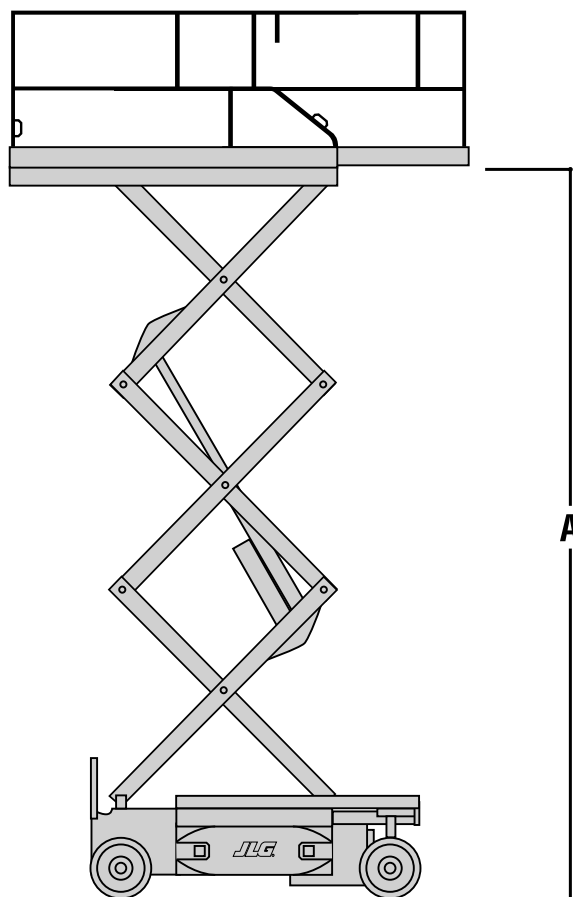
¹ Folding rails standard on all ES models in CE spec.

² Capacities shown are maximum with 2 persons indoor on all models. Outdoor ratings are:
1930ES - 1 person / 120 kg ; 2032ES - 1 person / 160 kg ; 2646ES - 2 person / 230 kg ; 3246ES - 1 person / 320 kg.

³ Certain options or country standards may increase weight and/or dimensions.



JLG ES Series



Scissor Lifts

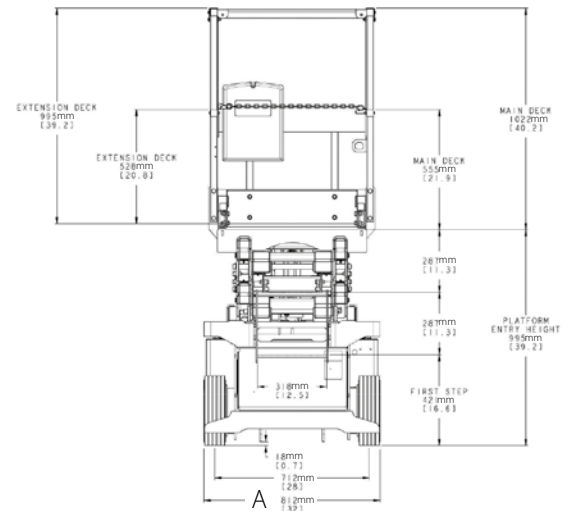
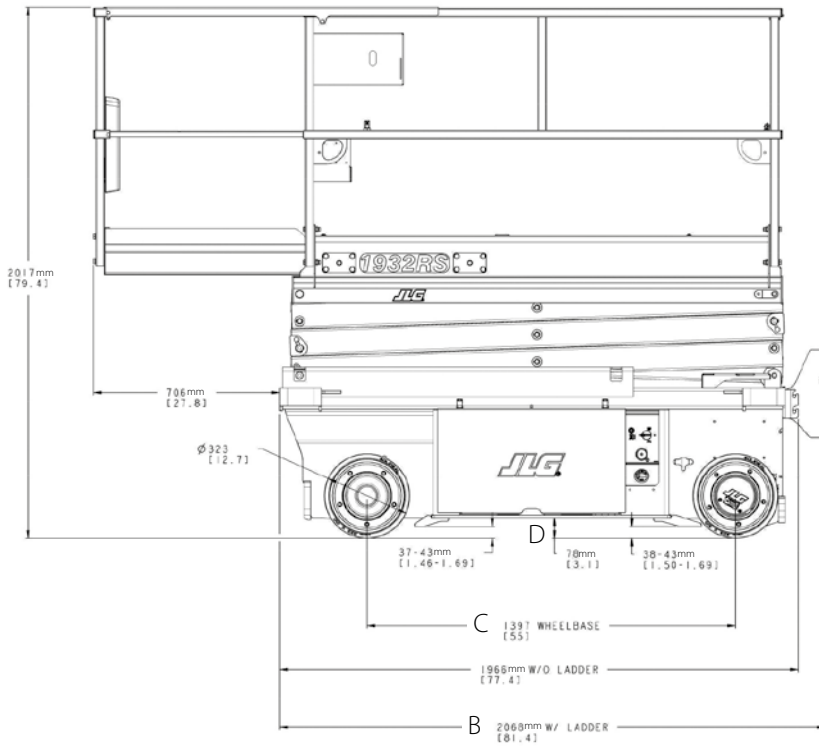
	6RS	10RS
Working Height	7.79 m	11.75 m
Platform Height - Elevated	5.79 m	9.75 m
Platform Height - Lowered	1.00 m	1.38 m
Platform Railing Height	1.10 m	1.10 m
Stowed Height (Rails Folded)	1.76 m	1.97 m
Platform Size Inside (W x L)	0.69 m x 1.82 m	1.07 m x 2.16 m
Deck Extension	0.71 m	0.86 m
A. Overall Width	0.81 m	1.22 m
B. Overall Length	2.07 m	2.41 m
C. Wheelbase	1.40 m	1.85 m
D. Ground Clearance (centre of machine)	8 cm	10 cm
Platform Capacity ¹	230 kg	320 kg
Capacity on Deck Extension	120 kg	120 kg
Lift/Lower Time	25 / 26 sec.	60 / 60 sec.
Maximum Drive Height	5.79 m	9.75 m
Machine weight ²	1,565 kg	2,750 kg
Maximum Ground Bearing Pressure	8.40 kg/cm ²	7.60 kg/cm ²
Drive Speed - Lowered	4.0 km/h	4.0 km/h
Drive Speed - Elevated	0.5 km/h	0.5 km/h
Gradeability	25%	25%
Turning Radius - Inside	0.60 m	1.22 m
Turning Radius - Outside	2.22 m	3.18 m
Tyres (Non-Marking Solid)	323 x 100	406 x 127
Brakes	Automatic Friction Rear	Automatic Friction Rear
Drive (Nominal)	24V Electric 3 kW	24V Electric 2.5 kW
Batteries	4 x 6V 220A/hr	4 x 6V 220A/hr
Charger (120/240V -50/60Hz)	20A Automatic	20A Automatic
Pump Motor	2.3 kW	3 kW
Hydraulic System	7.0 L	15.0 L

¹ Capacities shown are maximum with 2 persons indoor on both models.

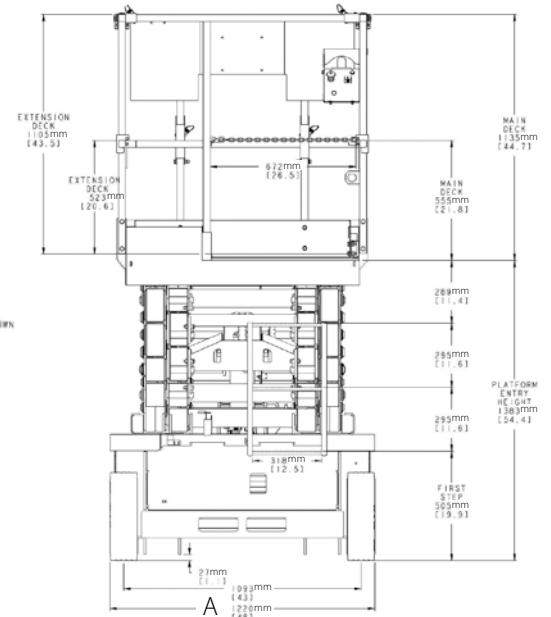
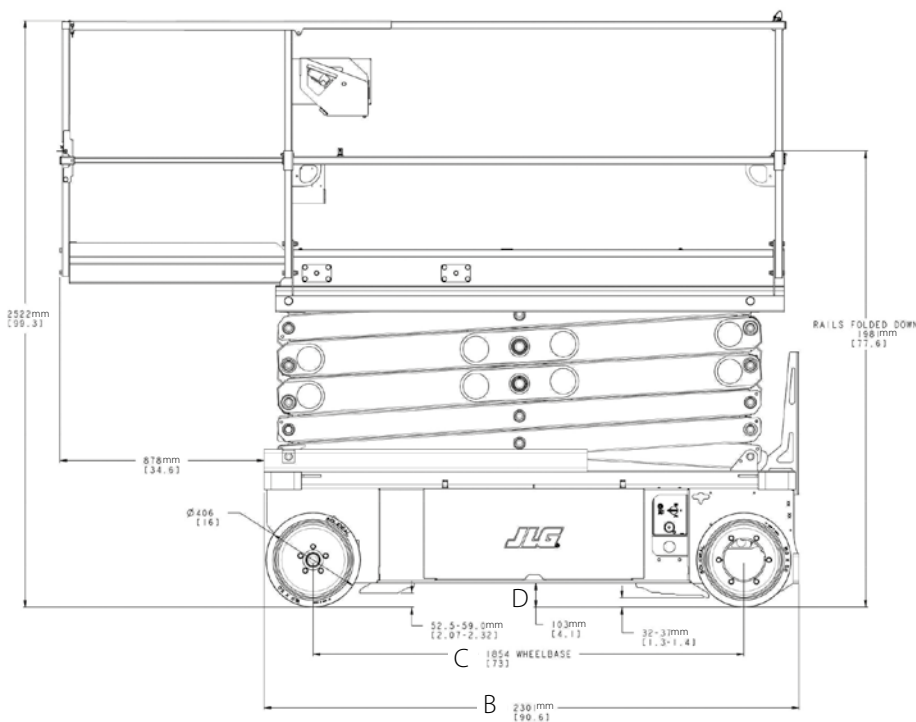
Outdoor ratings are: 6RS - 1 Person/230 kg ; 10RS - 1 person/320 kg

² Certain options or country standards may increase weight and/or dimensions.

JLG Model 6RS



JLG Model 10RS

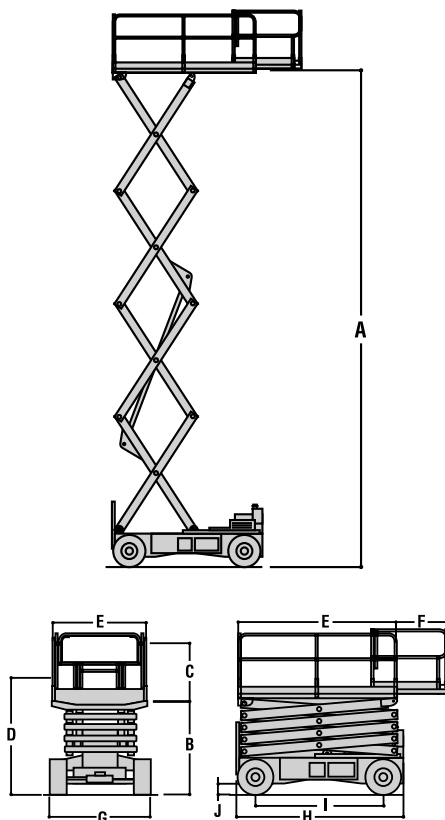


Scissor Lifts

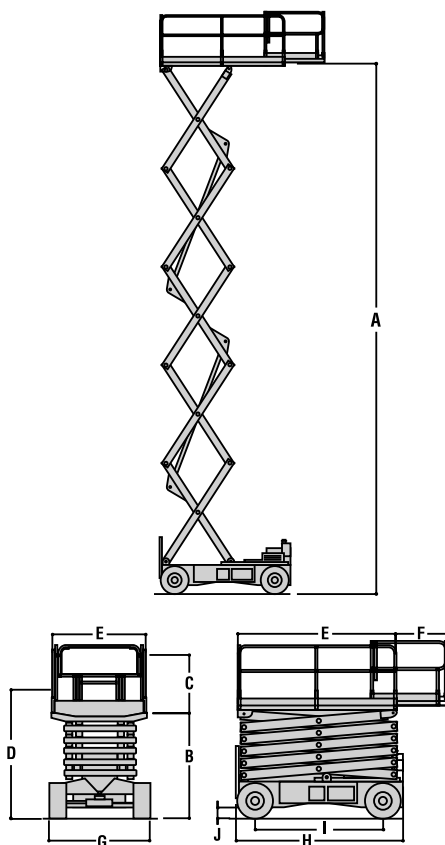
	3369LE	M3369	4069LE	M4069
Working Height	12.06 m	12.06 m	14.19 m	14.19 m
A. Platform Height - Elevated	10.06 m	10.06 m	12.19 m	12.19 m
B. Platform Height - Lowered	1.69 m	1.69 m	1.73 m	1.73 m
C. Platform Railing Height	1.10 m	1.10 m	1.10 m	1.10 m
D. Stowed Height (Rails Folded)	1.98 m	1.98 m	2.04 m	2.04 m
E. Platform Size (W X L)	1.65 m x 2.92 m	1.65 m x 2.92 m	1.65 m x 2.92 m	1.65 m x 2.92 m
F. Deck Extension	0.91 m	0.91 m	0.91 m	0.91 m
G. Overall Width	1.75 m	1.75 m	1.75 m	1.75 m
H. Overall Length	3.07 m	3.07 m	3.07 m	3.07 m
I. Wheelbase	2.32 m	2.32 m	2.32 m	2.32 m
J. Ground Clearance	0.20 m	0.20 m	0.20 m	0.20 m
Platform Capacity	450 kg	450 kg	360 kg	360 kg
Capacity on Deck Extension	120 kg	120 kg	120 kg	120 kg
Lift/Lower Time	38/42 sec.	38/42 sec.	54/50 sec.	54/50 sec.
Maximum Drive Height	10.06 m	10.06 m	9.14 m	9.14 m
Machine weight ¹	4,600 kg	5,250 kg	5,300 kg	5,700 kg
Maximum Ground Bearing Pressure	4.0 kg/cm ²	4.0 kg/cm ²	4.3 kg/cm ²	4.3 kg/cm ²
Drive Speed - Lowered	4.8 km/h	4.8 km/h	4.8 km/h	4.8 km/h
Drive Speed - Elevated	0.8 km/h	0.8 km/h	0.8 km/h	0.8 km/h
Gradeability	35%	35%	35%	35%
Turning Radius - Inside	2.29 m	2.29 m	2.29 m	2.29 m
Turning Radius - Outside	4.88 m	4.88 m	4.88 m	4.88 m
Tyres (non-marking)	240/55-17.5	240/55-17.5	240/55-17.5	240/55-17.5
Brakes	Automatic Spring Applied		Automatic Spring Applied	
Drive Motors	Dual Electric Traction		Dual Electric Traction	
Hydraulic Pump Motor	Perm. Magnet	Perm. Magnet	Perm Magnet	Perm. Magnet
Batteries	8 x 6V 370A/hr	8 x 6V 370A/hr	8 x 6V 370A/hr	8 x 6V 370A/hr
Charger (120/240V - 50/60HZ)	20A SCR Automatic	20A SCR Automatic	20A SCR Automatic	20A SCR Automatic
Hydraulic Pump	Gear Pump	Gear Pump	Gear Pump	Gear Pump
Hydraulic System	32.0 L	32.0 L	32.0 L	32.0 L
Generator Set	—	Kubota OC60 Air-cooled 5 kW	—	Kubota OC60 Air-cooled 5 kW
Generator Fuel Tank	—	15.0 L	—	15.0 L

¹ Certain options or country standards may increase weight and/or dimensions.

JLG Models 3369LE & M3369



JLG Models 4069LE & M4069



Mast Boom Lifts

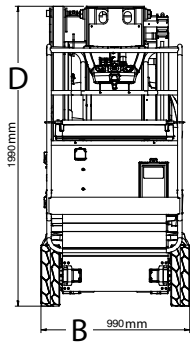
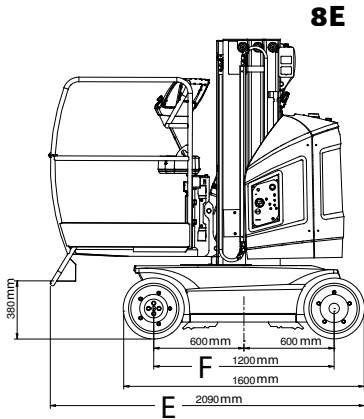
	Toucan 8E	Toucan 10E	Toucan 12E	Toucan 12E Plus
Working Height	8.15 m	10.10 m	11.83 m	12.65 m
Platform height	6.15 m	8.10 m	9.83 m	10.65 m
Working outreach (standard platform)	2.39 m	3.08 m	5.10 m	6.05 m
Working outreach (XL platform)	2.65 m	—	—	—
Up and over height	5.10 m	6.51 m	7.12 m	7.12 m
Swing (not continuous)	345°	345°	345°	345°
Platform capacity ¹	200 kg	200 kg	200 kg	200 kg
Jib - overall length	1.17 m	1.60 m	3.19 m	4.14 m
Jib - range of articulation	113° (+45°/ -68°)	127° (+66°/ -61°)	120° (+60° / -60°)	120° (+60° / -60°)
A. Platform size standard platform (L x W)	0.85 x 0.90 m	0.70 x 0.90 m	0.70 m x 1.05 m	0.70 m x 1.05 m
Platform size XL platform (L x W)	1.10 x 0.90 m	—	—	—
B. Overall width	0.99 m	0.99 m	1.20 m	1.20 m
C. Tailswing	17.5 cm	13 cm	13 cm	13 cm
D. Stowed height	1.99 m	1.99 m	1.99 m	1.99 m
E. Overall length (standard platform)	2.09 m	2.82 m	3.65 m	3.65 m
Overall length (XL platform)	2.35 m	—	—	—
F. Wheelbase	1.20 m	1.20 m	1.60 m	1.60 m
G. Ground clearance	10 cm	10.5 cm	10 cm	10 cm
Machine weight - standard platform ²	2,120 kg	2,990 kg	4,300 kg	4,900 kg
Machine weight - XL platform ²	2,340 kg	—	—	—
Maximum ground bearing pressure	18.2 kg/cm ²	21 kg/cm ²	12.5 kg/cm ²	14.0 kg/cm ²
Drive speed - lowered	5.5 km/h	5.5 km/h	6.0 km/h	6.0 km/h
Drive speed - elevated	0.75 km/h	0.75 km/h	0.75 km/h	0.75 km/h
Drive speed - full elevation	—	0.40 km/h	—	—
Turning radius (outside)	1.99 m	1.99 m	2.60 m	2.60 m
Turning radius (inside)	0.55 m	0.55 m	0.75 m	0.75 m
Gradeability	25%	25%	30%	30%
Break over angle	25%	25%	25%	25%
Steer angle	60°	60°	60°	60°
Max. allowable tilt angle	2°	2°	3°	3°
Tyres (non-marking solid)	406 x 125 mm	406 x 125 mm	457 mm x 178 mm	457 mm x 178 mm
Electrical system	24V DC	24V DC	48V DC	48V DC
Batteries (deep cycle)	24V - 185A/hr	24V - 240A/hr	48V - 260A/hr	48V - 260A/hr
Charger	24V - 25A	24V - 25A	48V - 25A	48V - 25A
Drive motors	Dual AC motors	Dual AC motors	Dual AC motors	Dual AC motors
Brakes	Disc	Disc	Disc	Disc
Electrical (pump) motor	3 kW 24V DC	3 kW 24V DC	3.5 kW - 48V DC	3.5 kW - 48V DC
Hydraulic system	10.0 L	9.0 L	15.0 L	15.0 L
Peter Hird cycles	75	92	80	74

¹ Capacity shown is maximum two persons indoor and outdoor (12.5 m/s wind speed)

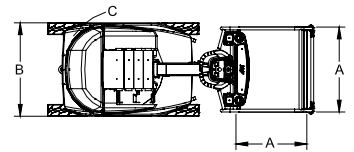
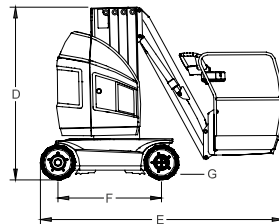
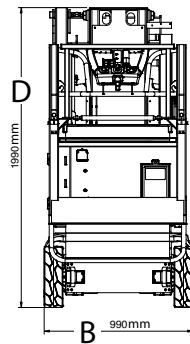
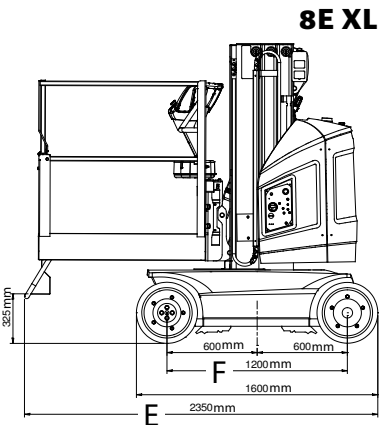
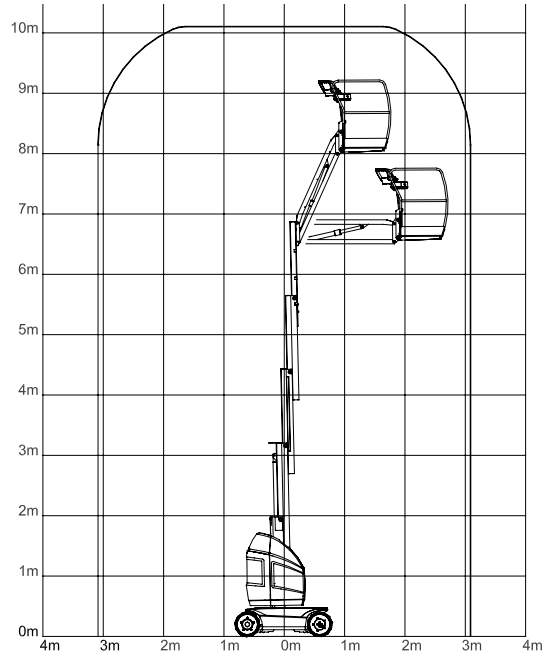
² Certain options or country standards may increase weight and/or dimensions.



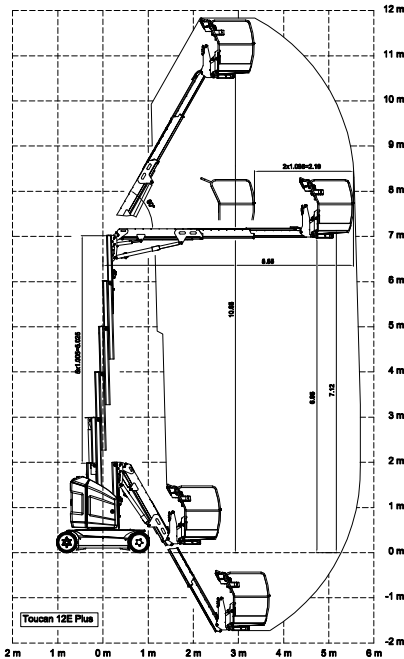
JLG Model Toucan 8E



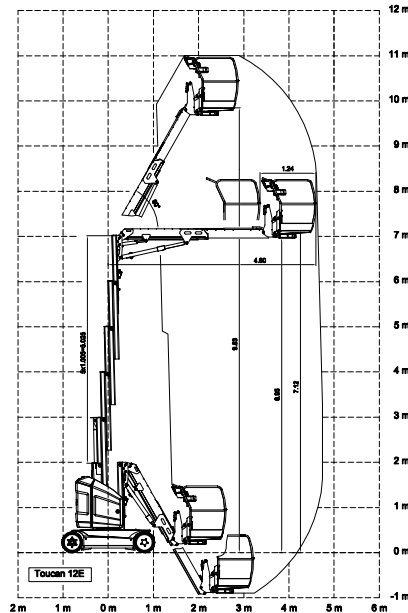
JLG Model Toucan 10E



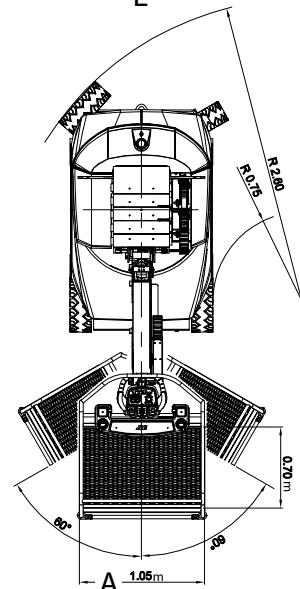
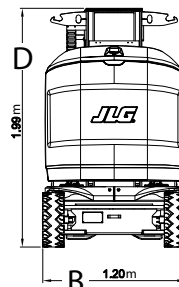
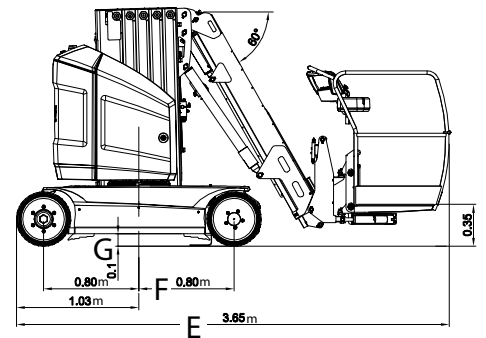
JLG Models Toucan 12E & 12E Plus



12E Plus



12E



Compact crawlers

	X14J	X17J	X19J	X23J
Working Height w 120 kg capacity	13.80 m	16.81 m	18.67 m	23.10 m
Platform Height w 120 kg capacity	11.80 m	14.81 m	16.67 m	21.10 m
Working Height w 200 kg capacity	12.15 m	15.12 m	16.96 m	21.70 m
Platform Height w 200 kg capacity	10.15 m	13.12 m	14.96 m	19.70 m
Horizontal Outreach (Std Platform w 120 kg)	6.26 m	7.68 m	5.90 m	11.13 m
Horizontal Outreach (Std Platform w 200 kg)	5.42 m	6.45 m	4.30 m	9.75 m
Up & Over Height w 120 kg	5.58 m	6.08 m	7.66 m	9.38 m
Up & Over Height w 200 kg	5.52 m	5.86 m	6.23 m	7.96 m
Swing (non continuous)	361°	361°	361°	361°
Jib - overall length	1.56 m	1.43 m	1.43 m	1.43 m
Jib - range of articulation (+/-)	83° (+0° / -83°)	88° (-2° / -90°)	83° (+0° / -83°)	85° (-1° / -86°)
Platform size (standard 2 persons)	0.69 m x 1.30 m	0.76 m x 1.30 m	0.69 m x 1.30 m	0.69 m x 1.30 m
Platform size (narrow one person)	0.59 m x 0.79 m	0.73 m x 0.79 m	0.59 m x 0.79 m	0.59 m x 0.79 m
Stowed width (with std. 2P platform)	1.48 m	1.31 m	1.48 m	1.48 m
Stowed width (without platform)	0.79 m ¹	0.79 m ³	0.79 m ⁴	0.99 m ⁵
Stowed height (on tracks)	2.07 m ¹	1.99 m ³	1.98 m ⁴	1.99 m ⁶
Stowed length (on tracks)	4.02 m	4.53 m	4.47 m	6 m
Outrigger footprint	2.87 m x 2.91 m	2.89 m x 2.88 m	2.89 m x 2.88 m	3.98 m x 3.98 m
Machine weight (with standard platform)	1,398 kg ⁷	2,100 kg ⁷	2,080 kg ⁷	2,990 kg ⁷
Operating weight (with petrol engine)	1,430 kg	2,152 kg	2,106 kg	3,100 Kg
Maximum ground bearing pressure (on outriggers)	1.94 kg/cm ²	2.04 kg/cm ²	1.94 kg/cm ²	3.06 kg/cm ²
Maximum ground bearing pressure (on tracks)	0.41 kg/cm ²	0.63 kg/cm ²	0.63 kg/cm ²	0.49 kg/cm ²
Maximum drive speed (single speed m/c) Petrol	1.4 km/h	1.7 km/h	1.7 km/h	—
Maximum drive speed (two speed m/c) Petrol	2.8 km/h	3.3 km/h	3.3 km/h	1 / 1.7 km/h ⁸
Gradeability	36%	36%	38%	40%
Maximum operating slope	10°	11°	11°	13°
Max. Approach / Depart angles	Front 20° / Rear 20°	Front 20° / Rear 21°	Front 21° / Rear 21°	Front 22° / Rear 25°
Track size - McLaren low profile black rubber	1.24 m x 0.18 m x 0.30 m	1.24 m x 0.18 m x 0.30 m	1.24 m x 0.18 m x 0.30 m	—
Track size - Bridgestone high profile black rubber	—	—	—	1.76 m x 0.23 m x 0.38 m
Width of Undercarriage (Retracted/Extended)	0.79 m / 0.79 m	0.79 m / 1.09 m	0.79 m / 1.09 m	0.99 m / 1.29 m
AC electric motor	110V or 220V, 50Hz, 2.2 kW	110V or 220V, 50Hz, 2.2 kW	110V or 220V, 50Hz, 2.2 kW	110V or 220V, 50Hz, 2.2 kW
Engine	Honda GX270, 6.6 kW Petrol	Honda iGX440, 11 kW Petrol	Honda iGX440, 11 kW Petrol	Honda iGX440, 11 kW Petrol

¹ With outrigger pads removed. Pads increase width by 100 mm and height by 30 mm in stowed position.

² With outrigger pads removed. Pads increase width by 178 mm and height by 85 mm in stowed position.

³ With outrigger pads removed. Pads increase width by 196 mm and height by 124 mm in stowed position.

⁴ With outrigger pads removed. Pads increase width by 196 mm and height by 120 mm in stowed position.

⁵ With outrigger pads removed. Pads increase width by 75 mm in stowed position.

⁶ No change in this dimension with or without outrigger pads removed.

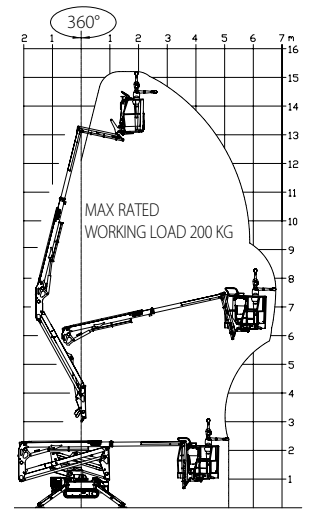
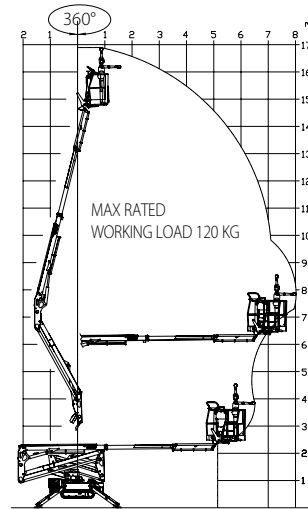
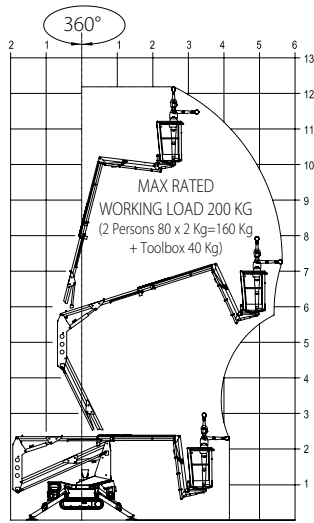
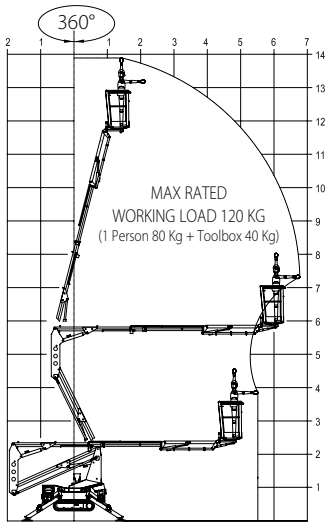
⁷ Dry weight. Certain options or country standards may increase weight and/or dimensions.

⁸ Two speed drive standard on this model.



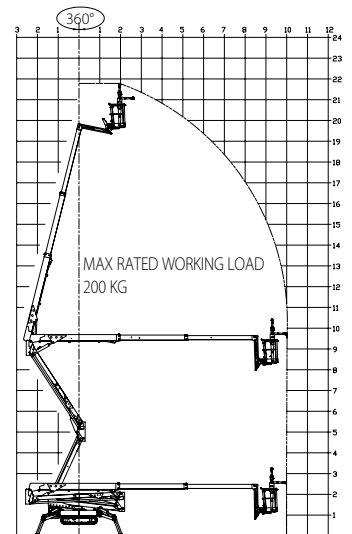
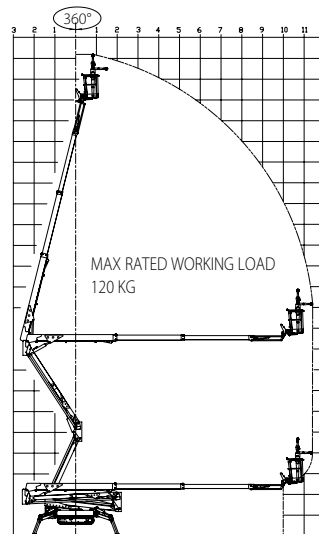
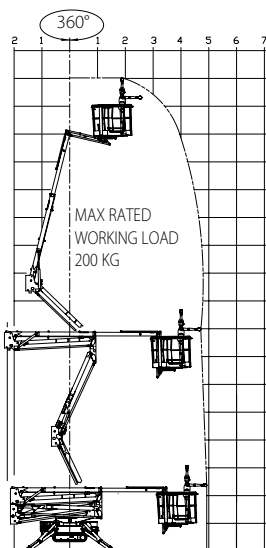
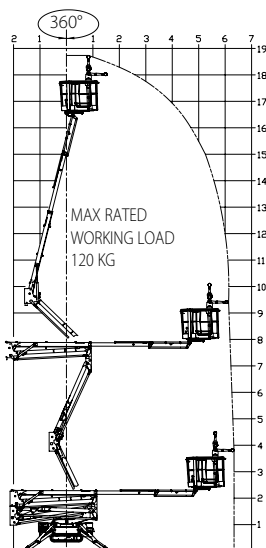
JLG Model X14J

JLG Model X17J



JLG Model X19J

JLG Model X23J

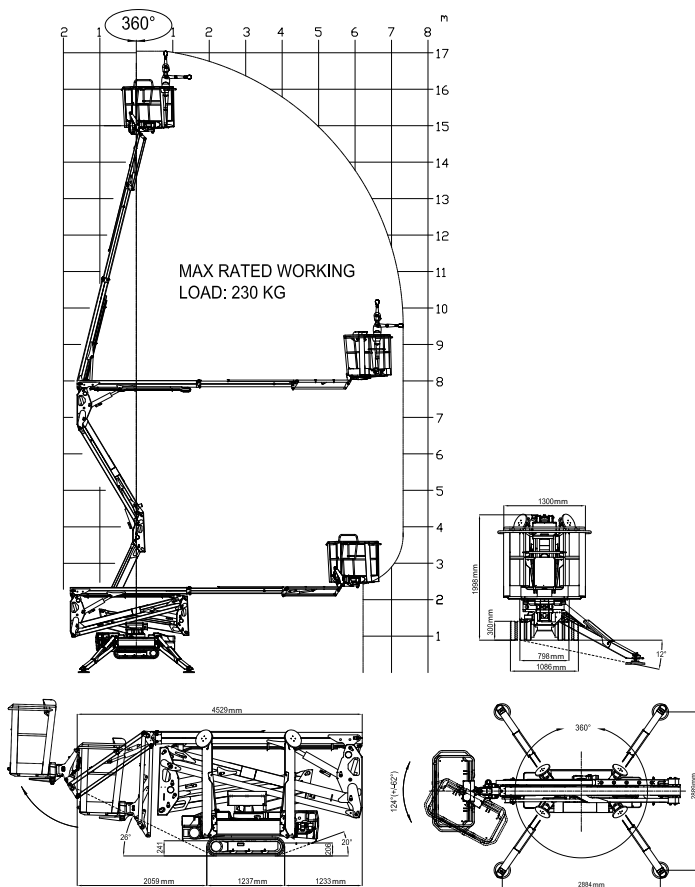


Compact crawlers

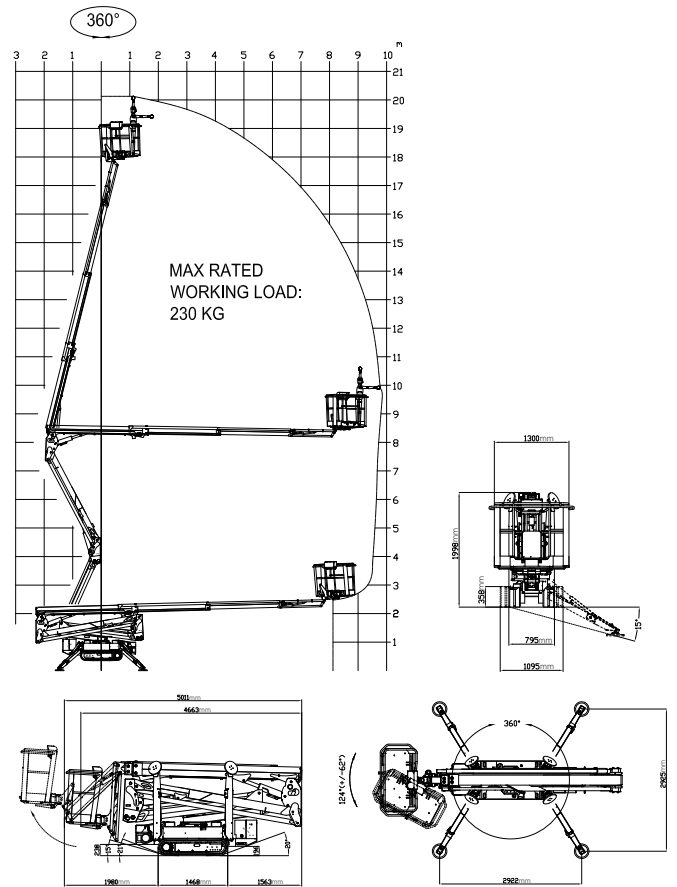
	X17J Plus	X20J Plus	X26J Plus
Working Height w 230 kg capacity	16.96 m	20.05 m	25.60 m
Platform Height w 230 kg capacity	14.96 m	18.05 m	23.60 m
Horizontal Outreach (Std Platform w 230 kg)	7.00 m	9.20 m	13.10 m
Working Outreach (Std Platform w 230 kg)	7.65 m	9.85 m	13.75 m
Up & Over Height w 230 kg	7.8 m	8.2 m	10.10 m
Swing (non continuous)	360°	360°	360°
Jib - overall length	1.68 m	1.68 m	1.68 m
Jib - range of articulation (+/-)	89° (+0/-89°)	89° (+0/-89°)	89° (+0/-89°)
Platform size (standard 2 persons)	0.69 m x 1.34 m	0.69 m x 1.34 m	0.69 m x 1.34 m
Platform size (narrow one person)	TBC	TBC	TBC
Stowed width (with std. 2P platform)	1.48 m	1.48 m	1.48 m
Stowed width (without platform)	0.798 m	0.795 m	0.99 m
Stowed height (on tracks)	2.00 m	1.99 m	1.99 m
Stowed length (on tracks)	4.53 m	5.00 m	6.35 m
Outrigger footprint	2.89 x 2.88 m	2.92 m x 2.93 m	4.08 m x 3.98 m
Machine weight (with standard platform) ¹	2,190 kg	2,840 kg	—
Operating weight (with engine) ¹	2,230 kg	2,880 kg	4,365 kg
Maximum ground bearing pressure (on outriggers)	2.50 kg/cm ²	3.10 kg/cm ²	4.51 kg/cm ²
Maximum ground bearing pressure (on tracks)	0.68 kg/cm ²	0.65 kg/cm ²	0.54 kg/cm ²
Maximum drive speed (single speed m/c) Petrol	1.8 km/h	1.3 km/h	—
Maximum drive speed (two speed m/c) Petrol	3.6 km/h	2.5 km/h	2.4 km/h
Gradeability	28%	28%	28%
Maximum operating slope	12°	12°	12°
Max. Approach / Depart angles	20°	20°	Front 22° / Rear 25°
Track size - McLaren low profile black rubber	1.24 m x 0.18 m x 0.30 m	1.46 m x 0.2 m x 0.35 m	—
Track size - Bridgestone high profile black rubber	—	—	1.76 m x 0.23 m x 0.38 m
Width of Undercarriage (Retracted/Extended)	0.79 m / 1.08 m	0.79 m / 1.09 m	0.99 m / 1.49 m
AC electric motor	2.2 kW 50Hz 230V	2.2 kW 50Hz 230V	110V or 220V, 50Hz, 2.2 kW
Engine	Honda iGX440, 11 kW Petrol	Honda iGX440, 11 kW Petrol	Kubota D902, 16 kW Diesel

¹ Certain options or country standards may increase weight and/or dimensions.

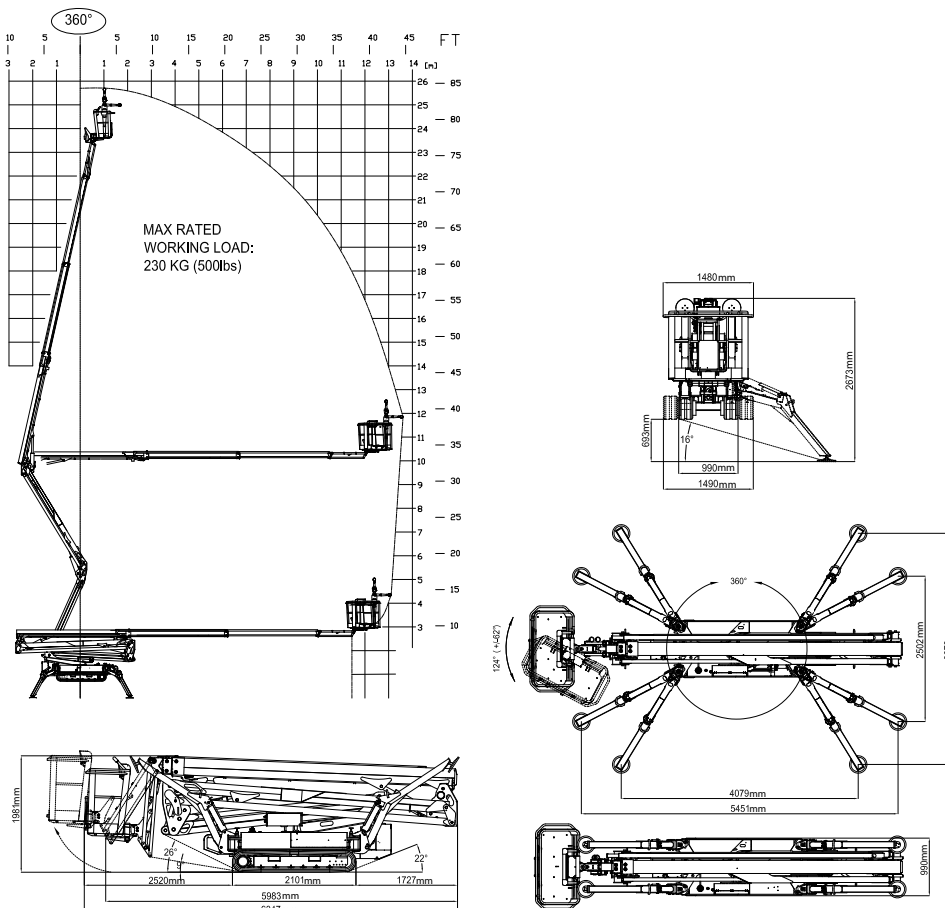
JLG Model X17J Plus



JLG Model X20J Plus



JLG Model X26J Plus



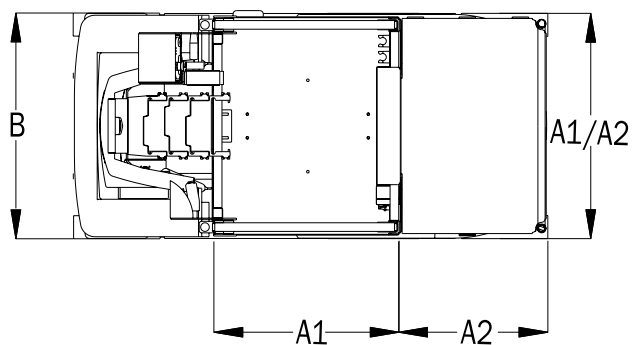
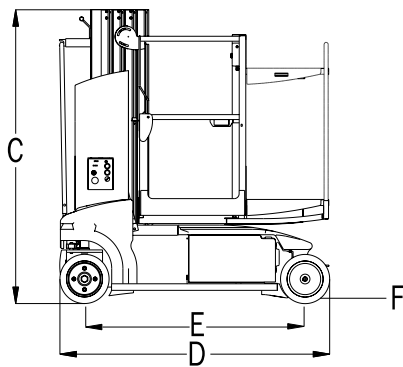
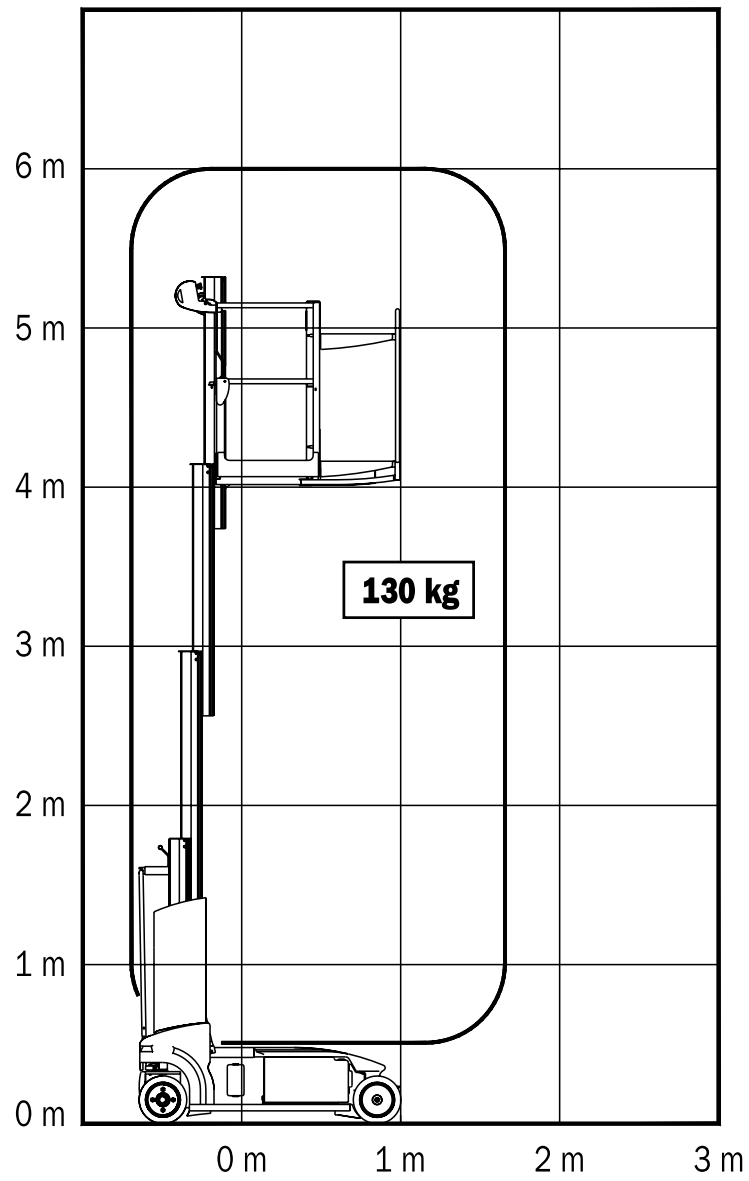
Vertical Personnel Lifts

	Toucan Duo
Working Height	6.00 m
Platform Height	4.00 m
Platform Capacity ¹	130 kg
Elevating Shelf Capacity	70 kg
A1. Platform Size (L x W)	0.65 m / 0.75 m
A2. Elevating Shelf Size (L x W)	0.50 m / 0.75 m
B. Overall Width	0.78 m
C. Stowed Height	1.79 m
D. Overall Length	1.65 m
E. Wheelbase	1.35 m
F. Ground Clearance	8 cm
Chassis Width	0.78 m
Machine weight *	1,000 kg
Maximum Ground Bearing Pressure	13.10 kg/cm ²
Drive Speed - Lowered	4 km/h
Drive Speed - Elevated	1 km/h
Turning Radius (outside)	1.64 m
Turning Radius (inside)	0.00 m
Gradeability	20%
Tyres (non-marking solid)	300 x 80
Electrical system	24V DC
Batteries	24V - 180A/hr
Dual Voltage 110/240V Charger	24V - 15A
Drive motors	2 motors 24V AC - 320 W
Brakes	Electromagnetic
Electrical motor	1 kW
Hydraulic system	6.0 L

¹ Capacities shown are for 1 person indoors only

* Certain options or country standards may increase weight and/or dimensions.

JLG Model Toucan Duo

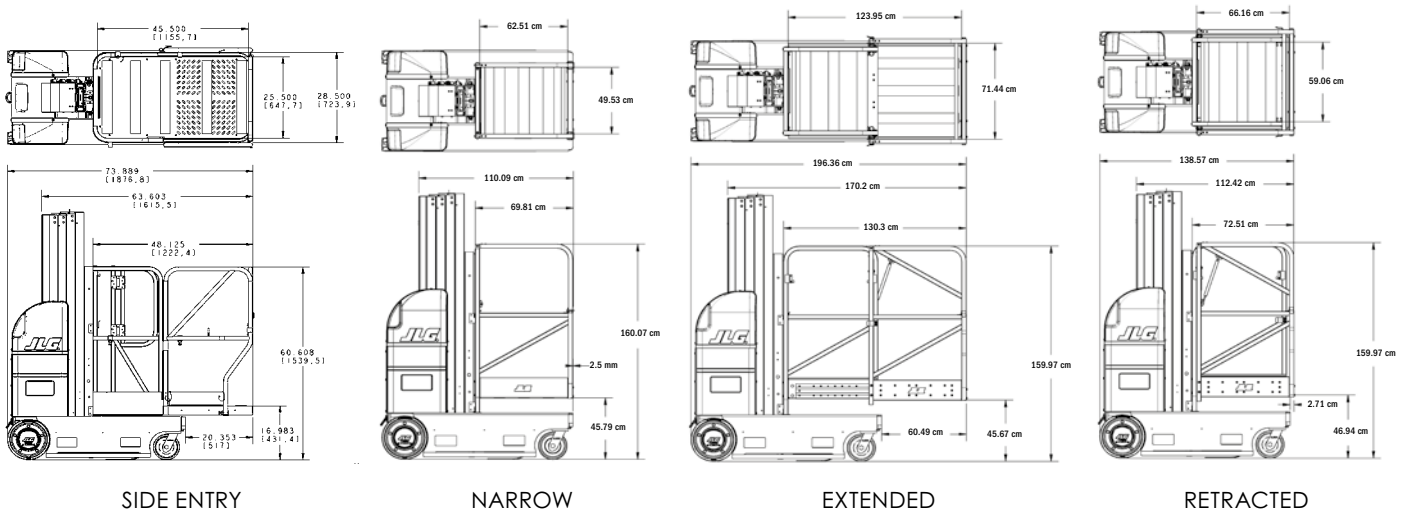
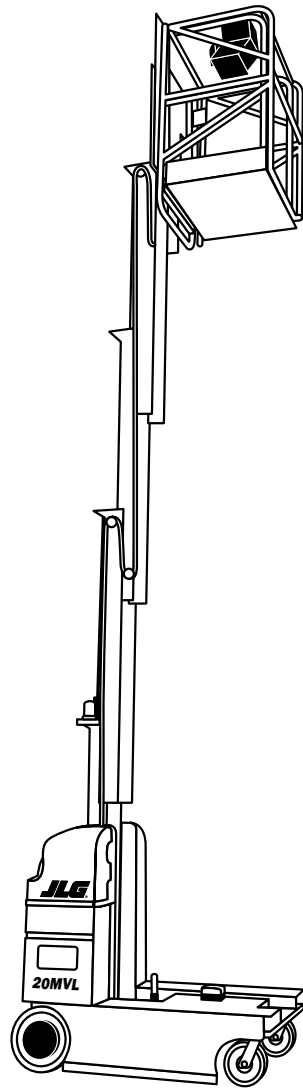


Vertical Personnel Lifts

	15MVL	20MVL
Working Height	6.71 m	7.98 m
Platform Height	4.71 m	5.98 m
Max Drive Height	4.71 m	5.98 m
Stowed Height	1.98 m	1.98 m
Platform Entry Height	0.46 m	0.46 m
Platform Entry Height Stock Picking Platform	0.43 m	0.43 m
Platform Entry Height Extension Platform	—	—
Platform Capacity - Side Entry Platform	—	115 kg
Material Tray Capacity	—	45 kg
Platform Capacity - Stockpicking Platform	230 kg	160 kg
Platform Capacity - Narrow Platform	230 kg	160 kg
Platform Capacity - Extension Platform	230 kg	160 kg
Platform Size - Side Entry with Material Tray	—	0.69 m x 0.58 m
Material Tray Size (W x L)	—	0.69 m x 0.58 m
Platform Size - Stockpicking Platform (W x L)	0.71 m x 1.22 m	0.71 m x 1.22 m
Platform Size - Narrow Platform (W x L)	0.56 m x 0.64 m	0.56 m x 0.64 m
Platform Size - Extension Platform Retracted (W x L)	0.66 m x 0.66 m	0.66 m x 0.66 m
Platform Size - Extension Platform Extended (W x L)	0.66 m x 1.24 m	0.66 m x 1.24 m
Vehicle Length - Extension Platform Retracted	1.36 m	1.36 m
Vehicle Length - Stock Picking Platform	1.88 m	1.88 m
Vehicle Length - All other Platforms	1.36 m	1.36 m
Vehicle Width - Chassis Width	0.75 m	0.75 m
Vehicle Width - Extension Platform	0.82 m	0.82 m
Vehicle Width - Stock Picking Platform	0.80 m	0.80 m
Vehicle Width - All Other Platforms	0.75 m	0.75 m
Machine weight - All Other Platforms ¹	1,060 kg	1,060 kg
Machine weight - Extension Platform ¹	1,090 kg	1,090 kg
Machine weight - Stock Picking Platform ¹	1,110 kg	1,110 kg
Maximum Ground Bearing Pressure Front Casters	22.60 kg/cm ²	19.50 kg/cm ²
Maximum Ground Bearing Pressure Rear Wheels	8.10 kg/cm ²	9.21 kg/cm ²
Drive Maximum Speed - Platform Lowered	5.4 km/h	5.4 km/h
Drive Maximum Speed - Platform Elevated	0.8 km/h	0.8 km/h
Turning Radius	Zero	Zero
Gradeability	20%	20%
Ground Clearance	5 cm	5 cm
Wheel Diameter - Rear Drive & Steer Wheels	32 cm x 10 cm	32 cm x 10 cm
Wheel Diameter - Front Castor Wheels	20 cm x 6 cm	20 cm x 6 cm
Tyre Material	Non-marking	Non-marking
Batteries	Maintenance-Free 100A/hr AGM (x 2)	Maintenance-Free 100A/hr AGM (x 2)

¹ Certain options or country standards may increase weight and/or dimensions.

JLG MVL Series



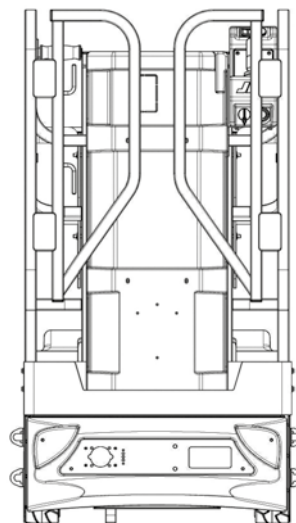
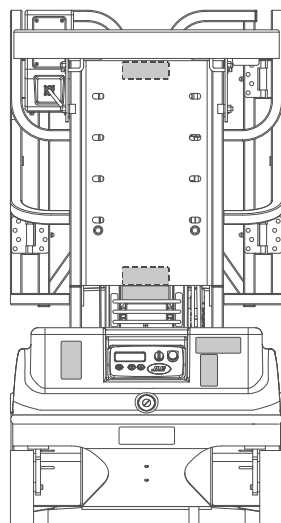
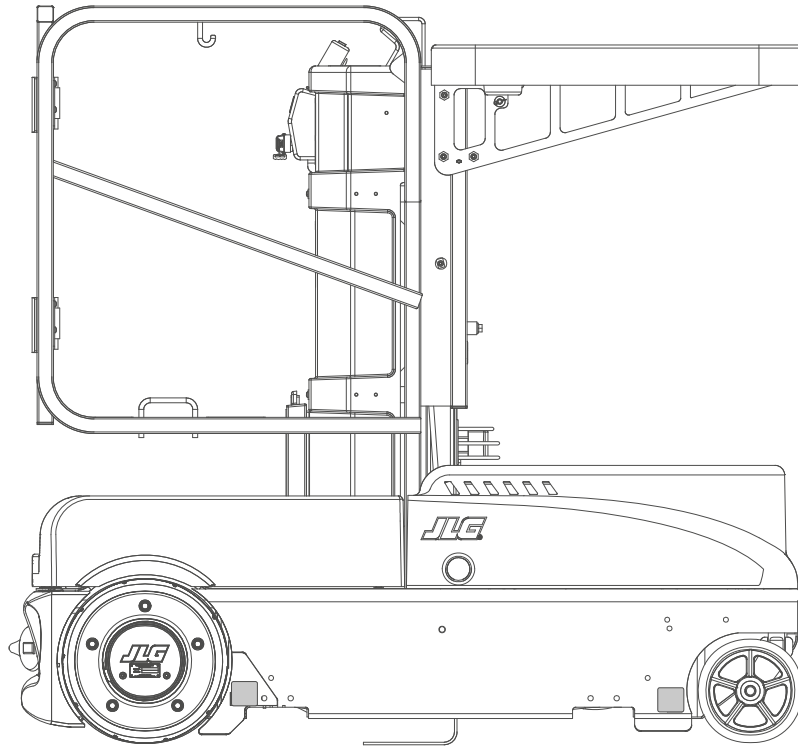
Vertical Personnel Lifts

	10MSP
Working Height	5.05 m
Platform Height	3.05 m
Operator Platform Capacity	160 kg
Material Tray Capacity	115 kg
Carry Deck Capacity	115 kg
Platform Size (W x L) - swing gates entry	0.69 m x 0.50 m
Material Tray Size (W x L)	0.66 m x 0.66 m
Overall Height - Stowed	1.45 m
Overall Width - Stowed ²	0.83 m
Overall Length	1.56 m
Ground Entry Height	0.35 m
Minimum Tray Stowed Height	0.86 m
Maximum Tray Stowed Height	1.32 m
Maximum Tray Elevated Height	4.04 m
Drive Speed - Lowered	5.4 km/h
Drive Speed - Elevated	0.8 km/h
Distance from Platform to Wall - Over Front	0.00 m
Distance from Platform to Wall - Over Sides	0.00 m
Machine weight ¹	555 kg
Maximum Ground Bearing Pressure Front Casters	11.70 kg/cm ²
Maximum Ground Bearing Pressure Rear Wheels	6.70 kg/cm ²
Turning Radius	Zero
Gradeability	15%
Wheel Diameter - Drive Wheel	0.32 m
Wheel Diameter - Front Castors	0.20 m
Battery	Maintenance-Free 200A/hr AGM (x 4)
Battery Charger	25A Automatic
Drive System	Direct Electric

¹ Certain options or country standards may increase weight and/or dimensions.

² Without rubber bumpers Width: 0.75 m .

JLG Model 10MSP



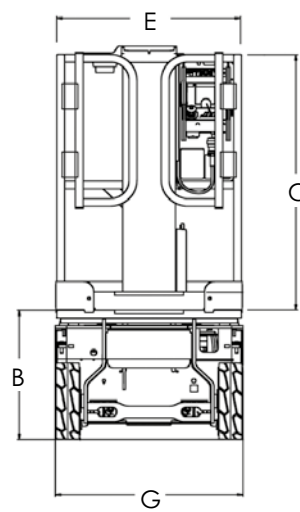
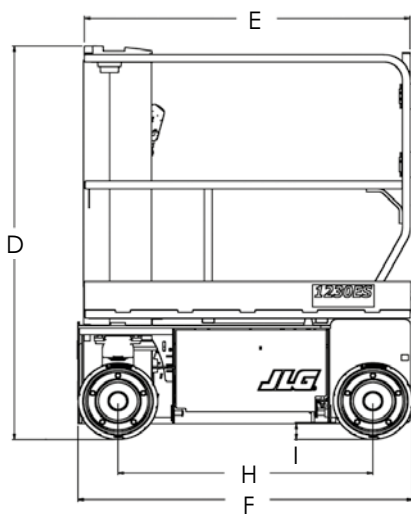
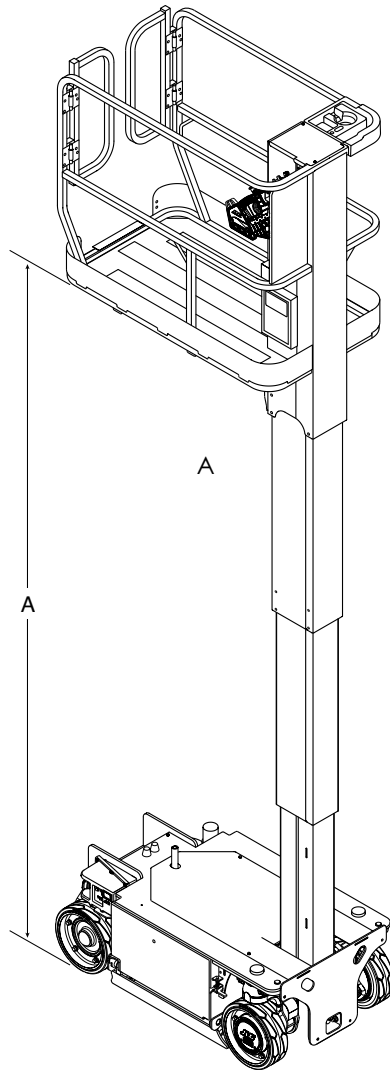
Vertical Personnel Lifts

	1230ES
Working Height	5.66 m
A. Platform Height - Elevated	3.66 m
B. Platform Height - Lowered	0.52 m
C. Platform Rail Height	1.10 m
D. Stowed Height	1.65 m
E. Platform Size (W x L)	0.69 m x 1.26 m
F. Overall Length	1.36 m
G. Overall Width	0.76 m
H. Wheelbase	1.04 m
I. Ground Clearance (Stowed)	6.5 cm
Platform Capacity ¹	230 kg
Lift / Lower Time	12 /12 sec.
Maximum Drive Height	3.66 m
Weight ²	790 kg
Maximum Ground Bearing Pressure	8.65 kg/cm ²
Drive Speed Lowered	4.8 km/h
Drive Speed Elevated	0.8 km/h
Gradeability	25%
Turning Radius - Inside	11 cm
Turning Radius - Outside	1.46 m
Tyres (Non-Marking Solid)	323 x 100
Brakes	Automatic Spring Applied
Drive	24V Electric 6 kW
Batteries	4 x 6V 220A/hr
Charger (120/240V - 50/60Hz)	20A Automatic
Hydraulic System	4.0 L

¹ Capacity - 1 person + tools and equipment up to maximum 230 kg.

² Certain options or country standards may increase weight and/or dimensions.

JLG Model 1230ES

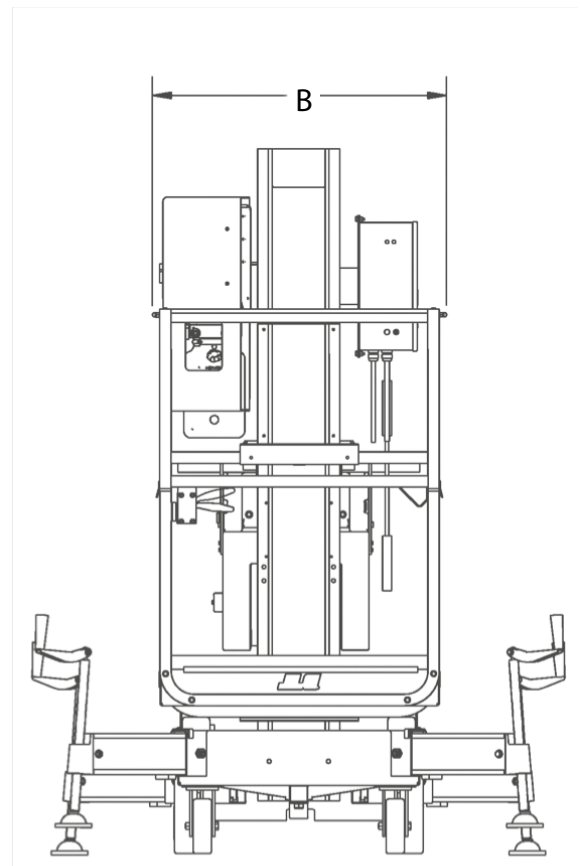
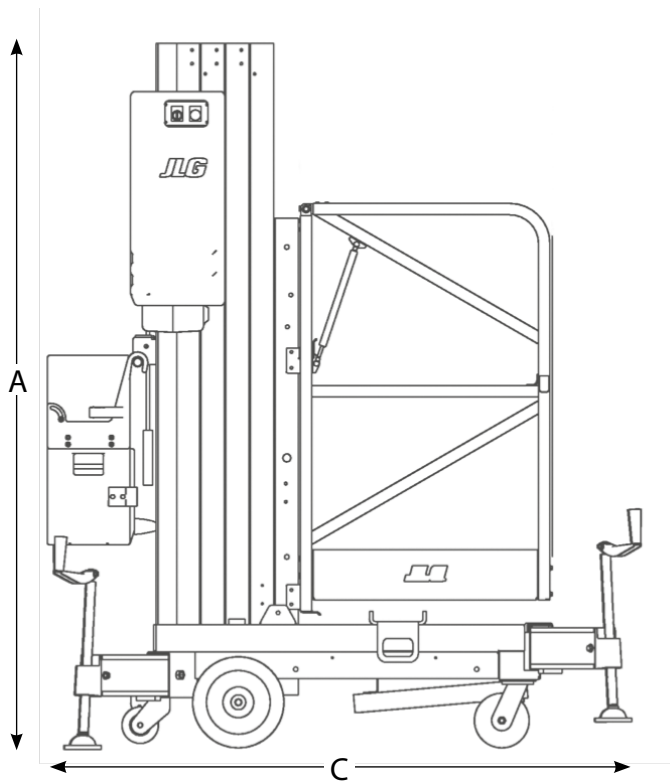
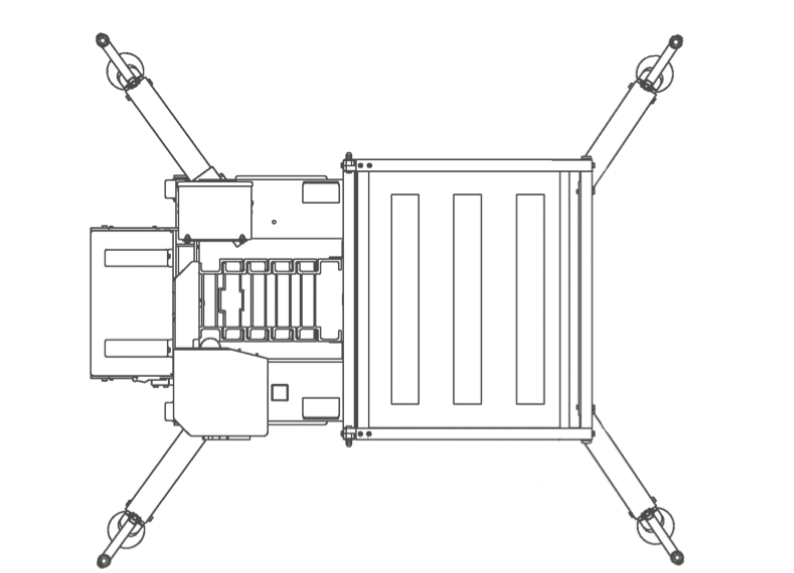


Vertical Personnel Lifts - Accessmaster®

	20AM	25AM	30AM	36AM	41AM
Working Height	8.22 m	9.67 m	11.14 m	13.05 m	14.42 m
Platform Height	6.22 m	7.67 m	9.14 m	11.05 m	12.42 m
Platform Capacity	160 kg	160 kg	135 kg	135 kg	135 kg
Platform Size - Narrow (W x L)	0.56 m x 0.63 m	0.56 m x 0.63 m	0.56 m x 0.63 m	0.56 m x 0.63 m	0.56 m x 0.63 m
Platform Size - Side Entry (W x L)	0.66 m x 0.66 m	0.66 m x 0.66 m	0.66 m x 0.66 m	0.66 m x 0.66 m	0.66 m x 0.66 m
A. Overall Height - Stowed	1.97 m	1.97 m	1.97 m	2.64 m	2.64 m
Overall Height - Tilted Back	—	—	—	1.92 m	1.96 m
B. Base Width - Stowed	0.74 m	0.74 m	0.74 m	0.74 m	0.74 m
C. Base Length - Stowed	1.19 m	1.24 m	1.32 m	1.38 m	1.46 m
Base Length - Without Platform	1.19 m	1.19 m	1.19 m	1.35 m	1.35 m
Overall Length - Tilted Back	—	—	—	2.74 m	2.74 m
Ground Entry Height	0.48 m	0.48 m	0.48 m	0.48 m	0.48 m
Outrigger Footprint Length	1.73 m	1.73 m	1.88 m	2.13 m	2.13 m
Outrigger Footprint Width	1.57 m	1.57 m	1.83 m	2.18 m	2.18 m
Distance to Wall - Front	0.28 m	0.20 m	0.20 m	0.42 m	0.34 m
Distance to Wall - Side	0.44 m	0.44 m	0.60 m	0.75 m	0.75 m
Machine weight - AC *	325 kg	365 kg	395 kg	440 kg	485 kg
Machine weight - DC *	360 kg	395 kg	430 kg	475 kg	520 kg
Rear Wheel Diameter	25 cm	25 cm	25 cm	25 cm	25 cm
Caster Wheel Diameter	15 cm	15 cm	15 cm	15 cm	15 cm

* Certain options or country standards may increase weight and/or dimensions.

JLG AM Series



Articulating Boom Lifts

E300AJ E300AJP

Platform

0.76 m x 1.22 m low mount platform	●	●
Side entry with drop bar mid rail	●	●
Side entry with inward swing gate	○	○
Multiple function operation	●	●
Full proportional drive joystick control with integral thumb steer switch	●	●
Full proportional main boom and swing joystick control	●	●
Multiple speed control for lower boom, telescope, jib and platform rotate	●	●
Selectable creep speed on drive / lift and swing functions	●	●
1.22 m articulating jib	●	●
JibPLUS [®] with 4 way axis 1.22 m Jib	—	●
180 degree powered platform rotator	●	●
Platform console machine status light panel ¹	●	●
Load sensing system	●	●
AC power cable to platform	●	●

Engine & Transmission

Two Wheel Direct Electric Drive with AC motors	●	●
8 x 6V 305A/hr deep cycle batteries	●	●
Automatic traction control	●	●
Programmable "Personality" settings	●	●
On-board self-diagnostic testing	●	●
Enclosed battery / electrical compartment	●	●
20 amp automatic battery charger	●	●
Automatic rear wheel brakes	●	●
Sculptured Steel hoods	●	●

Functional Equipment & Accessories

3 degree tilt alarm and indicator light	●	●
Non mark solid rubber tyres	●	●
Pothole protection system	●	●
1.22 m narrow frame	●	●
Lifting/tie down lugs	●	●
Ground control selector switch with key lock	●	●
Battery condition indicator	●	●
Hour meter	●	●
Horn	●	●
370A/hr batteries in lieu of 305A/hr batteries	○	○
All motion alarm	○	○
305A/hr maintenance free AGM batteries in lieu of standard	○	○
Platform worklights	○	○
Amber strobe light	○	○
Plugs & Sockets	○	○
Programmable Security Lock	○	○
Acrylic console shield	○	○
Cylinder bellows	○	○
Skyguard with beacon	○	○
Skyguard without beacon	○	○
Platform tool tray	○	○
Manual descent system	●	●

Standard ● Option ○ Not Available —

¹ Provides indicator lights at platform control console for system distress, low battery, tilt light, and foot switch status.

E400AJP M400AJP E400AJPn M400AJPn

Platform

0.76 m x 1.22 m low mount platform	○	○	●	●
0.76 m x 1.52 m low mount platform	●	●	○	○
Side entry with drop bar mid rail	●	●	●	●
Side entry with inward swing gate	○	○	○	○
Multiple function operation	●	●	●	●
Full proportional drive joystick control with integral thumb steer switch	●	●	●	●
Full proportional main boom and swing joystick control	●	●	●	●
Multiple speed control for lower boom, telescope, jib and platform rotate	●	●	●	●
Selectable creep speed on drive / lift and swing functions	●	●	●	●
1.22 m articulating jib	●	●	●	●
JibPLUS® with 4 way axis 1.22 m Jib	●	●	●	●
180 degree powered platform rotator	●	●	●	●
Platform console machine status light panel ¹	●	●	●	●
Load sensing system	●	●	●	●
AC power cable to platform	●	●	●	●
13 mm air line to platform	—	—	—	—

Engine & Transmission

Two Wheel Direct Electric Drive with AC motors	●	●	●	●
8 x 6V 370A/hr deep cycle batteries	●	●	●	●
Automatic traction control	●	●	●	●
Programmable "Personality" settings	●	●	●	●
On-board self-diagnostic testing	●	●	●	●
Enclosed battery / electrical compartment	●	●	●	●
20 amp automatic battery charger	●	●	●	●
Automatic rear wheel brakes	●	●	●	●
Sculptured ABS hoods	●	●	●	●

Functional Equipment & Accessories

3 degree tilt alarm and indicator light	●	●	●	●
Non mark solid rubber tyres	○	○	●	●
240/55 - 17.5 foam filled tyres	●	●	—	—
240/55 - 17.5 non marking foam filled tyres	○	○	—	—
1.75 m frame	●	●	—	—
1.50 m narrow frame	—	—	●	●
Lifting/tie down lugs	●	●	●	●
Ground control selector switch with key lock	●	●	●	●
Battery condition indicator	●	●	●	●
Hour meter	●	●	●	●
Horn	●	●	●	●
305A/hr maintenance free AGM batteries in lieu of standard	○	○	○	○
All motion alarm	○	○	○	○
Light package ²	○	○	○	○
Platform worklights	○	○	○	○
Head and tail lights	○	○	○	○
Amber strobe light	○	○	○	○
Plugs & Sockets	○	○	○	○
Acrylic console shield	○	○	○	○
Cylinder bellows	○	○	○	○
Skyguard with beacon	○	○	○	○
Skyguard without beacon	○	○	○	○
Platform tool tray	●	●	●	●
Manual descent system	●	●	●	●

Standard ● Option ○ Not Available —

¹ Provides indicator lights at platform control console for system distress, low battery, tilt light, and foot switch status.

² Includes head & tail lights and platform work lights.

Articulating Boom Lifts

E450AJ M450AJ

Platform

	E450AJ	M450AJ
0.76 m x 1.22 m low mount platform	○	○
0.76 m x 1.52 m low mount platform	●	●
Side entry with drop bar mid rail	●	●
Side entry with inward swing gate	○	○
Multiple function operation	●	●
Full proportional drive joystick control with integral thumb steer switch	●	●
Full proportional main boom and swing joystick control	●	●
Multiple speed control for lower boom, telescope, jib and platform rotate	●	●
Selectable creep speed on drive / lift and swing functions	●	●
1.22 m articulating jib	●	●
180 degree powered platform rotator	●	●
Platform console machine status light panel ¹	●	●
Load sensing system	●	●
AC power cable to platform	●	●
13 mm air line to platform	○	○

Engine & Transmission

Two Wheel Direct Electric Drive with AC motors	●	●
8 x 6V 370A/hr deep cycle batteries	●	●
On-Board diesel powered quick charge gen set	—	●
Automatic traction control	●	●
Programmable "Personality" settings	●	●
On-board self-diagnostic testing	●	●
Enclosed battery / electrical compartment	●	●
20 amp automatic battery charger	●	●
Automatic rear wheel brakes	●	●
Sculptured ABS hoods	●	●

Functional Equipment & Accessories

3 degree tilt alarm and indicator light	●	●
Non mark solid rubber tyres	○	○
240/55 - 17.5 foam filled tyres	●	●
240/55 - 17.5 non marking foam filled tyres	○	○
Lifting/tie down lugs	●	●
Ground control selector switch with key lock	●	●
Battery condition indicator	●	●
Hour meter	●	●
Horn	●	●
305A/hr maintenance free AGM batteries in lieu of standard	○	○
All motion alarm	○	○
Platform worklights	○	○
Head and tail lights	○	○
Light package ²	○	○
Amber strobe light	○	○
Plugs & Sockets	○	○
Acrylic console shield	○	○
Cylinder bellows	○	○
Skyguard with beacon	○	○
Skyguard without beacon	○	○
Platform tool tray	●	●
Manual descent system	●	●

Standard ● Option ○ Not Available —

¹ Provides indicator lights at platform control console for system distress, low battery, tilt light, and foot switch status.

² Includes head & tail lights and platform work lights.

E600J M600J E600JP M600JP

Platform

0.76 m x 1.22 m low mount platform	○	○	○	○
0.76 m x 1.83 m low mount platform	●	●	●	●
Side entry with drop bar mid rail	●	●	●	●
Side entry with inward swing gate	○	○	○	○
Multiple function operation	●	●	●	●
Full proportional drive joystick control with integral thumb steer switch	●	●	●	●
Full proportional main boom and swing joystick control	●	●	●	●
Multiple speed control for lower boom, telescope, jib and platform rotate	●	●	●	●
Selectable creep speed on drive / lift and swing functions	●	●	●	●
1.22 m articulating jib	●	●	●	●
JibPLUS® with 4 way axis 1.24 m Jib	—	—	●	●
180 degree powered platform rotator	●	●	●	●
Platform console machine status light panel ¹	●	●	●	●
Load sensing system	●	●	●	●
AC power cable to platform	●	●	●	●
13 mm air line to platform	○	○	○	○

Engine & Transmission

Two Wheel Direct Electric Drive	●	●	●	●
8 x 6V 415A/hr deep cycle batteries	●	●	●	●
On-Board diesel powered quick charge gen set	—	●	—	●
Automatic traction control	●	●	●	●
Programmable "Personality" settings	●	●	●	●
On-board self-diagnostic testing	●	●	●	●
Enclosed battery / electrical compartment	●	●	●	●
23 amp automatic battery charger	●	●	●	●
Automatic rear wheel brakes	●	●	●	●
Sculptured ABS hoods	●	●	●	●
All wheel assist	—	○	—	○

Functional Equipment & Accessories

3 degree tilt alarm and indicator light	—	—	●	●
4 degree tilt alarm and indicator light	●	●	—	—
36/14LL - 22.5 foam filled non marking tyres	●	●	●	●
Oscillating front axle	●	●	●	●
Lifting/tie down lugs	●	●	●	●
Ground control selector switch with key lock	●	●	●	●
Battery condition indicator	●	●	●	●
Hour meter	●	●	●	●
Horn	●	●	●	●
All motion alarm	○	○	○	○
Platform worklights	○	○	○	○
Head and tail lights	○	○	○	○
Light package ²	○	○	○	○
Amber strobe light	○	○	○	○
Plugs & Sockets	○	○	○	○
Acrylic console shield	○	○	○	○
Cylinder bellows	○	○	○	○
Soft Touch proximity system	○	○	—	—
Skyguard with beacon	○	○	○	○
Skyguard without beacon	○	○	○	○
Soft Touch 0.76 m x 1.22 m Platform Proximity System	○	○	○	○
Soft Touch 0.76 m x 1.83 m Platform Proximity System	○	○	○	○
Platform tool tray	●	●	●	●
Corner storage tray	○	○	○	○
Manual descent system	●	●	●	●

Standard ● Option ○ Not Available —

¹ Provides indicator lights at platform control console for system distress, low battery, tilt light, and foot switch status.

² Includes head & tail lights and platform work lights.

Scissor Lifts

	1930ES	2032ES	2632ES	2646ES	3246ES
Platform					
0.90 m roll-out deck extension	●	●	●	—	—
1.27 m roll-out deck extension	—	—	—	●	●
Fold Down Handrails	●	●	●	●	●
Half swing gate	●	●	●	●	●
Removable platform console box	●	●	●	●	●
Lanyard attach points	●	●	●	●	●
Full proportional drive joystick control with integral thumb steer switch	●	●	●	●	●
Proportional lift/lower speed control	●	●	●	●	●
Joystick enable for lift and drive	●	●	●	●	●
Load sensing system	●	●	●	●	●
Engine & Transmission					
4 x 6V 220A/hr deep cycle batteries	●	●	●	●	●
Automatic positive traction	●	●	●	●	●
Programmable "Personality" settings	●	●	●	●	●
On-board self-diagnostic testing	●	●	●	●	●
Swing-out battery/electrical compartment doors	●	●	●	●	●
20 amp automatic battery charger	●	●	●	●	●
Dual motor direct electric front wheel drive & steer	●	●	●	●	●
Dual wheel automatic brakes	●	●	●	●	●
Emergency brake release	●	●	●	●	●
Functional Equipment & Accessories					
Pothole protection system	●	●	●	●	●
AC cable to platform	●	●	●	●	●
13 mm air line to platform	○	○	○	○	○
Battery condition indicator	●	●	●	●	●
Hour meter	●	●	●	●	●
Drywall gate	—	●	●	●	●
Platform work-lights	○	○	○	○	○
Lubrication free scissor arm bushings	●	●	●	●	●
Scissor maintenance prop	●	●	●	●	●
Manual descent	●	●	●	●	●
Horn	●	●	●	●	●
220A/hr maintenance free AGM batteries in lieu of standard	○	○	○	○	○
Non-marking solid tyres (323 x 100)	●	—	—	—	—
Non-marking solid tyres (406 x 125)	—	●	●	●	●
245A/hr batteries in lieu of 220A/hr batteries	—	○	○	○	○
Lifting lugs	○	○	○	○	○
Variable slope sensing	●	●	●	●	●
Slope alarm and light	●	●	●	●	●
All motion alarm	○	○	○	○	○
Descent alarm	○	○	○	○	○
Alarm package ¹	○	○	○	○	○
Platform padding	○	○	○	○	○
Panel Carrier	—	○	○	○	○
Pipe Racks	—	○	○	○	○
Workstation c/w 12V outlet	○	○	○	○	○
Workstation w/o 12V outlet	○	○	○	○	○
Electricians' Package ²	—	—	—	○	○
Plumbers' package ³	—	—	—	○	○
Tie down lugs	●	●	●	●	●
Fork lift pockets	●	●	●	●	●
Amber strobe light	○	○	○	○	○
Plugs & Sockets	○	○	○	○	○

Standard ● Option ○ Not Available —

¹ Includes all-motion alarm + amber strobe light.

² Includes workstation without 12V outlet, pipe racks, vice and electricians tree.

³ Includes workstation with 12V outlet, pipe racks and vice.

	6RS	10RS
Platform		
0.71 m roll-out deck extension	●	—
0.98 m roll-out deck extension	—	●
Fold down handrails	●	●
Half swing gate	●	●
Removable platform control box	●	●
Lanyard attach points	●	●
Full proportional drive joystick control with integral thumb steer switch	●	●
Proportional lift/lower speed control	●	●
Joystick enable for lift and drive	●	●
Load sensing system	●	●
Engine & Transmission		
4 x 6V 220A/hr deep cycle batteries	●	●
Automatic positive traction	●	●
Programmable "Personality" settings	●	●
On-board self-diagnostic testing	●	●
Lift off steel hoods on battery/electrical compartments	●	●
20 amp automatic battery charger	●	●
Dual motor direct electric rear wheel drive	●	●
Dual wheel automatic brakes (on rear wheels)	●	●
Emergency brake release	●	●
Functional Equipment & Accessories		
Passive pothole protection system	●	●
AC cable to platform	●	●
Battery charge level indicator	●	●
Hourmeter	●	●
Lubrication free scissor arm bushings	●	●
Scissor maintenance prop	●	●
Manual descent	●	●
Horn	●	●
220A/hr maintenance free AGM batteries in lieu of standard	○	○
Non-marking solid tyres (323 x 100)	●	—
Non-marking solid tyres (406 x 127)	—	●
Lifting and tie down points	●	●
Slope alarm and light	●	●
All motion alarm	○	○
Pipe racks	—	○
Fork lift pockets	●	●
Amber strobe light	○	○

Standard ● Option ○ Not Available —

Certain options or country standards may increase weight and/or dimensions.

©2015, JLG Industries, Inc.

Scissor Lifts

	3369LE	M3369	4069LE	M4069
Platform				
0.91 m roll-out deck extension	●	●	●	●
Fold-down handrails	●	●	●	●
Self-closing gate	●	●	●	●
Removable platform console box	●	●	●	●
Lanyard attach points	●	●	●	●
Full proportional drive joystick control with integral thumb steer switch	●	●	●	●
Proportional lift/lower speed control	●	●	●	●
Joystick enable for lift and drive	●	●	●	●
Load sensing system	●	●	●	●
Two speed drive selection	●	●	●	●
Engine & Transmission				
Two Wheel Direct Electric Drive	●	●	●	●
8 x 6V 370A/hr deep cycle batteries	●	●	●	●
On-Board diesel powered quick charge gen set	—	●	—	●
Automatic traction control	●	●	●	●
Programmable "Personality" settings	●	●	●	●
On-board self-diagnostic testing	●	●	●	●
Detachable battery compartments	●	●	●	●
20 amp automatic battery charger	●	●	●	●
Automatic rear wheel brakes	●	●	●	●
Sculptured steel hoods	●	●	●	●
All wheel assist	—	○	—	○
Functional Equipment & Accessories				
3 degree tilt alarm and indicator light	●	●	●	●
Steel scissor guards	●	●	●	●
Hydraulic levelling jacks	○	○	○	○
240/55 - 17.5 non marking foam filled tyres	●	●	●	●
Oscillating rear axle with DUS	●	●	●	●
Lifting/tie down lugs	●	●	●	●
Lubrication free scissor arm bushings	●	●	●	●
Scissor maintenance prop	●	●	●	●
AC cable to platform	●	●	●	●
13 mm air line to platform	○	○	○	○
Ground control selector switch with key lock	●	●	●	●
Battery condition indicator	●	●	●	●
Hour meter	●	●	●	●
Horn	●	●	●	●
390A/hr maintenance free AGM batteries in lieu of standard	○	○	○	○
All motion alarm	○	○	○	○
Descent alarm	○	○	○	○
Alarm package ¹	○	○	○	○
Manual descent pull cable	●	●	●	●
Platform work-lights	○	○	○	○
Amber strobe light	○	○	○	○
Plugs and Sockets	○	○	○	○

Standard ● Option ○ Not Available —

¹ Includes all-motion alarm + amber strobe light.

	8E	10E	12E	12E Plus
Platform				
0.85 m x 0.90 m (L x W) steel platform	●	—	—	—
0.90 m x 0.70 m (L x W) steel platform	—	●	—	—
0.70 m x 1.05 m (L x W) steel platform	—	—	●	●
1.10 m x 0.90 m (Lx W) XL platform	○	—	—	—
Slide bar rear entry	●	●	●	●
Full proportional drive and slew joystick control with integral thumb steer switch	●	●	●	●
Mini joysticks provide proportional mast and jib lift/lower functions (and telescope on 12 m models)	●	●	●	●
1.17 m articulating jib	●	—	—	—
1.60 m articulating jib	—	●	—	—
3.19 m articulating jib	—	—	●	—
4.14 m articulating jib	—	—	—	●
Function enable with enlarged LCD function status display	●	●	●	●
Load sensing system	●	●	●	●
AC power cable to platform	●	●	●	●
Powered platform rotation	—	—	○	○
8 mm air line to platform	○	○	○	○
Large tool tray	●	●	●	●
Engine & Transmission				
Two wheel direct electric drive	●	●	●	●
Brushless AC drive motors	●	●	●	●
24V 185A/hr deep cycle monobloc batteries	●	—	—	—
24V 180A/hr sealed AGM batteries in lieu of standard	○	—	—	—
24V 240A/hr full traction batteries	—	●	—	—
24V 240A/hr Gel batteries & on-board 230V HF battery charger	—	○	—	—
48V 260A/hr deep cycle monobloc batteries	—	—	●	●
48V 255A/hr sealed AGM batteries in lieu of standard	—	—	○	○
On-board 110V/230V HF battery charger	●	●	●	●
Powered battery fill	●	●	●	●
Auto power save when idle	●	●	●	●
Low charge function cut-out	●	●	●	●
On-board diagnostics with integral display	●	●	●	●
Automatic rear wheel brakes	●	●	●	●
Sculptured polyester hoods	●	●	●	●
Functional Equipment & Accessories				
Heavy duty steel roller mast with 345 ° rotation	●	●	●	●
Chain slack detection system	●	●	●	●
2 degree tilt alarm and indicator light	●	●	●	●
3 degree tilt alarm and indicator light	—	—	●	●
406 x 125 solid non-marking tyres	●	●	—	—
457 x 178 solid non marking tyres	—	—	●	●
Passive pothole protection system	●	●	—	—
0.99 m wide frame	●	●	—	—
1.20 m wide frame	—	—	●	●
Lifting /tie down rings	●	●	●	●
Ground control selector switch with key lock	●	●	●	●
Battery discharge indicator	●	●	●	●
Hour meter	●	●	●	●
Horn	●	●	●	●
Drive orientation system	●	●	●	●
Acoustic alarm	○	○	—	—
LED Platform worklight	—	—	○	○
Lanyard anchor points	●	●	●	●
Food compatible lubricants	○	○	○	○
Low temperature lubrication	○	○	—	—
Zenon strobe light	●	●	●	●
Plugs & Sockets ¹	○	○	○	○
Manual descent system	●	●	●	●
Soft Touch 0.70 m x 1.05 m Platform Proximity System	—	—	○	○

Standard ● Option ○ Not Available —

¹ Included with circuit breaker on AC cable to platform option. NB 110V or 230V power must be specified

Compact crawlers

	X14J	X17J	X19J	X23J
Platform				
0.69 m x 1.30 m Aluminium 2 person platform	●	—	●	●
0.62 m x 1.30 m Aluminium 2 person platform	—	—	—	—
0.76 m x 1.30 m Aluminium 2 person platform	—	●	—	—
0.59 m x 0.79 m Aluminium 1 person platform	○	—	○	○
0.69 m x 0.79 m Aluminium 1 person platform	—	—	—	—
0.73 m x 0.79 m Aluminium 1 person platform	—	○	—	—
Slide bar rear entry	●	●	●	●
Footswitch	●	●	●	●
Full proportional control	●	●	●	●
Articulating jib	●	●	●	●
Powered platform rotator (124°)	—	●	●	●
Remote Control (via cable to platform)	●	—	●	●
Full Remote Control of drive and stabilization	—	●	—	—
Multi-lingual LCD display on platform console	●	●	●	●
Platform console position sensor and lock	●	●	●	●
Envelope management load sensing system	●	●	●	●
Platform designed for ease of removal/changeover	●	●	●	●
AC Cable to platform	●	●	●	●
6.5 mm (1/4") air/water line to platform	●	●	●	●
Engine & Transmission				
Honda GX270 - 6.6 kW (9HP) Gasoline Engine	●	—	—	—
Honda GX390 - 9.6 kW (13HP) Gasoline Engine	○	—	—	—
Honda iGX440 - 11 kW (15HP) Gasoline Engine	—	●	●	●
Hatz IB30 - 5.4 kW (7.5HP) Diesel Engine	○	—	—	—
Hatz IB40 - 7.5 kW (10HP) Diesel Engine	—	○	○	—
Perkins 402.05 - 10.2 kW (14HP) Diesel Engine	—	—	—	○
220V, 50Hz - 2.2 kW Electric Engine	●	●	●	●
110V, 50Hz - 2.2 kW Electric Engine	○	○	○	○
Engine protection	●	●	●	●
100A/hr, 48V Lithium ion power pack ¹	○	○	○	—
100A/hr 72V Lithium ion power pack ¹	—	—	—	○
1.24 m x 0.18 m x 0.30 m Low Profile Black Rubber Tracks	●	●	●	—
1.24 m x 0.18 m x 0.30 m Low Profile Non Mark Rubber Tracks	○	○	○	—
1.24 m x 0.18 m x 0.31 m High Profile Black Rubber Tracks	○	○	○	—
1.76 m x 0.23 m x 0.38 m High Profile Black Rubber Tracks	—	—	—	●
1.76 m x 0.23 m x 0.38 m High Profile Non Mark Rubber Tracks	—	—	—	○
Functional Equipment & Accessories				
Automatic Stabilization	●	●	●	●
Automatic Stabilization with Variable Outrigger Footprint	—	—	—	●
Non Mark Outrigger Pads	●	●	●	●
Cylinder Rod Protection on Outriggers	●	●	●	●
Automatic cut-out when out of level	●	●	●	●
Powered track extensions/'retraction	—	●	●	●
361° non-continuous turntable rotation	●	●	●	●
300° non-continuous turntable rotation	—	—	—	—
Turntable alignment sensor and gauge	●	●	●	●
Three emergency descent systems	●	●	●	●
Electro-hydraulic controls	●	— ²	●	●
Full pressure hydraulic controls	—	● ²	—	—
2nd (high) Drive speed	○	○	○	●
Lifting/Tie down points	●	●	●	●

Standard ● Option ○ Not Available —

¹ Replaces both combustion and electric engines

² Combination of radio control and hydraulic control on this model

	X17J Plus	X20J Plus	X26J Plus
Platform			
0.69 m x 1.30 m Aluminium 2 person platform	●	●	●
Slide bar rear entry	●	●	●
Footswitch	●	●	●
Full proportional control	●	●	●
Articulating jib	●	●	●
Powered platform rotator (124°)	●	●	●
Remote Control (via cable to platform)	●	●	●
Full Remote Control of drive and stabilization	●	●	●
Multi-lingual LCD display on platform console	●	●	●
Platform console position sensor and lock	●	●	●
Envelope management load sensing system	●	●	●
Platform designed for ease of removal/changeover	●	●	●
AC Cable to platform	●	●	●
6.5 mm air line to platform	●	●	●
Engine & Transmission			
Honda iGX440 - 11 kW (15HP) Gasoline Engine	●	●	—
Hatz IB40 - 7.5 kW (10HP) Diesel Engine	○	—	—
Perkins 402.05 - 10.2 kW (14HP) Diesel Engine	—	○	—
Kubota D905 - 16 kW (21.6HP) Diesel Engine	—	—	●
220V, 50Hz - 2.2 kW Electric Engine	●	●	●
110V, 50Hz - 2.2 kW Electric Engine	○	○	○
Engine protection	●	●	●
100A/hr, 48V Lithium ion power pack ¹	○	—	—
100A/hr 72V Lithium ion power pack ¹	—	○	—
100A/hr 83V Lithium ion power pack ¹	—	—	○
1.24 m x 0.18 m x 0.30 m Low Profile Black Rubber Tracks	●	—	—
1.24 m x 0.18 m x 0.30 m Low Profile Non Mark Rubber Tracks	○	—	—
1.46 m x 0.2 m x 0.35 m Low Profile Black Rubber Tracks	—	●	—
1.46 m x 0.2 m x 0.35 m Low Profile Non Mark Rubber Tracks	—	○	—
1.76 m x 0.23 m x 0.38 m High Profile Rubber Tracks	—	—	●
1.76 m x 0.23 m x 0.38 m High Profile Non Mark Rubber Tracks	—	—	○
Functional Equipment & Accessories			
Non Mark Outrigger Pads	●	●	●
Cylinder Rod Protection on Outriggers	●	●	●
Automatic cut-out when out of level	●	●	●
Powered track extensions/retraction	●	●	●
360° non-continuous turntable rotation	●	●	●
Turntable alignment sensor and gauge	●	●	●
Three emergency descent systems	●	●	●
Electro-hydraulic controls	●	●	●
Full pressure hydraulic controls	—	—	—
2nd (high) Drive speed	●	●	●
Lifting/Tie down points	●	●	●
Side Fork Pockets	●	●	●

Standard ● Option ○ Not Available —

¹ Replaces both combustion and electric engines

Vertical Personnel Lifts

DUO

Platform

0.75 m x 0.65 m (W x L) Operator platform with double side entry	●
0.75 m x 0.50 m (W x L) Powered material tray	●
Safety interlocked controls	●
Full proportional drive joystick control with integral thumb steer switch	●
Dedicated material tray controls	●
Lanyard attachment anchor	●

Engine & Transmission

4 x 6V, 180A/Hr deep cycle batteries	●
Automatic dual voltage high frequency battery charger	●
Battery condition indicator on platform	●
Battery discharge indicator with low charge function cut-out	○
Direct electric two wheel drive	●
Brushless AC drive motors	●
Brake release	●

Functional Equipment & Accessories

Low maintenance non-rotating extruded aluminium mast	●
Passive pothole protection system	●
Non marking solid rubber tyres	●
0.78 m wide frame	●
Manual Descent	●
2 degree Tilt indicator and alarm	●
Key lock main power switch	●
Hour meter	●
Transportation tie-down points	●
Lifting eye for crane hook	●
Fork truck lift points	●
Horn	●
220A/hr maintenance free AGM batteries in lieu of standard	○
Descent alarm	●
Xenon strobe lights	●
Food compatible lubrication and hydraulic oil	●
Low temperature lubrication	○

Standard ● Option ○ Not Available —



	15 MVL	20 MVL
Platform		
0.71 m x 1.22 m (W x L) Stock picking platform- front and side entry	○	○
Multi-position hand rails	○	○
0.69 m x 0.58 m (W x L) Side Entry platform with 0.69 m x 0.58 m material tray	—	○
0.66 m x 1.24 m (W x L) Slide bar entry extendable platform	●	●
0.56 m x 0.64 m (W x L) Narrow slide bar entry platform	○	○
Safety interlocked controls	●	●
Point & Go® fully proportional drive/steer single joystick control	●	●
Joystick enable for lift and drive	●	●
Variable speed elevation control	●	●
Load sensing system	●	●
Lanyard attachment anchor	●	●
Engine & Transmission		
2 x Sealed 12V,100A/Hr maintenance-free AGM batteries	●	●
Automatic 5 hour battery charger	●	●
On-board diagnostics	●	●
Automatic power-off battery saver control	●	●
Battery discharge indicator (located on platform and base)	●	●
Direct electric two wheel drive	●	●
Heavy duty planetary gear hubs	●	●
Non mark tyres and casters	●	●
Brake release	●	●
AC power cable to platform	●	●
Non-marking tyres	●	●
Functional Equipment & Accessories		
Low maintenance anodised aluminium mast	●	●
Pothole Protection System (PHP)	●	●
Manual Descent	●	●
Tilt light and alarm	●	●
Programmable 4 digit security lock	○	○
Key lock main power switch	●	●
Hour meter	●	●
Transportation tie-down lugs	●	●
Lifting eye for crane hook	○	○
Fork truck pockets	●	●
Horn	●	●
4 x Sealed 6V, 210A/hr maintenance free AGM batteries	○	○
Travel alarm	○	○
Amber strobe light	●	●
Tool tray (0.20 m x 0.46 m x 0.13 m)	○	○
Fluorescent tube caddy	○	○
Obstruction sensor and control system	—	—
Rug Carrier	—	—

Standard ● Option ○ Not Available —

Platform

0.69 m x 0.50 m (W x L) Operator platform self closing saloon style gates	●
0.66 m x 0.66 m (W x L) Adjustable height material tray	●
Carry deck on chassis	●
Safety interlocked controls	●
Point & Go® fully proportional drive/steer single joystick control	●
Joystick enable for lift and drive	●
Variable speed elevation control	●
Lanyard attachment anchor	●

Engine & Transmission

4 x Sealed 6V, 200A/Hr maintenance-free AGM batteries	●
Automatic 5 hour battery charger	●
On-board diagnostics	●
Automatic power-off battery saver control	●
Battery discharge indicator (located on platform and base)	●
Direct electric two wheel drive	●
Heavy duty planetary gear hubs	●
Non mark tyres and casters	●
Brake release	●
Non-marking tyres	●

Functional Equipment & Accessories

Low maintenance anodised aluminium mast	●
Pothole Protection System (PHP)	●
Manual Descent	●
Tilt light and alarm	●
Programmable 4 digit security lock	○
Key lock main power switch	●
Hour meter	●
Transportation tie-down lugs	●
Fork truck pockets	●
Horn	●
Travel alarm	○
Amber strobe light	●
Guide roller system	○

Standard ● Option ○ Not Available —

1230ES

Platform

Self-closing saloon style gates	●
Removable platform console box	●
Lanyard attach points	●
Full proportional drive joystick control with integral thumb steer switch	●
Proportional lift/lower speed control	●
Joystick enable for lift and drive	●

Engine & Transmission

4 x 6V 220A/hr deep cycle batteries	●
Automatic positive traction	●
Programmable "Personality" settings	●
On-board self-diagnostic testing	●
Swing-out battery/electrical compartment doors	●
20 amp automatic battery charger	●
Dual motor direct electric front wheel drive & steer	●
Dual wheel automatic brakes	●
Emergency brake release	●

Functional Equipment & Accessories

Pothole protection system	●
AC cable to platform	●
Battery condition indicator	●
Hour meter	●
3 section steel mast	●
Manual descent	●
Horn	●
220A/hr maintenance free AGM batteries in lieu of standard	○
Non-marking solid tyres (323 x 100)	●
Slope alarm and light	●
All motion alarm	○
Descent alarm	○
Alarm package ¹	○
Tie down lugs	●
Amber strobe light	○
Plugs & Sockets	○

Standard ● Option ○ Not Available —

¹ Includes all-motion alarm and amber strobe light.

Vertical Personnel Lifts

	20AM	25AM	30AM	36AM	41AM
Platform					
0.66 m x 0.66 m (W x L) Slide bar side entry platform	●	●	●	●	●
0.56 m x 0.64 m (W x L) Narrow slide bar entry platform	○	○	○	○	○
0.66 m x 1.25 m (W x L) Extendable platform	—	—	—	—	—
Safety interlocked controls	●	●	●	●	●
Load sensing system	●	●	●	●	●
Lanyard attach points	●	●	●	●	●
AC power cable to platform	●	●	●	●	●
Power & Chassis					
110V or 230V mains power operation (AC models)	○	○	○	○	○
12V 100A/hr deep cycle battery operation (DC models)	○	○	○	○	○
Sealed 12V 100A/hr maintenance free AGM battery ¹	○	○	○	○	○
Detachable battery & charger compartment ²	○	○	○	○	○
20 amp automatic battery charger ²	○	○	○	○	○
6 wheel chassis with 'X' pattern outriggers	●	●	●	●	●
Outrigger interlocks with LED indicators	●	●	●	●	●
Non mark tyres and casters	●	●	●	●	●
Floor brake with lift function interlock	—	—	—	—	—
Roller loading device	●	●	●	●	●
Straddle extension kit with 1.09 m clearance	○	○	○	○	○
Straddle extension kit with 1.40 m clearance	○	○	○	○	○
Functional Equipment & Accessories					
Low maintenance anodised aluminium mast	●	●	●	●	●
Spring loaded sequence cables	●	●	●	●	●
Battery condition indicator ²	○	○	○	○	○
Manual descent	●	●	●	●	●
Programmable 4 digit security lock	○	○	○	○	○
Key lock main power switch	●	●	●	●	●
Hour meter	●	●	●	●	●
Transportation tie-down lugs	●	●	●	●	●
Lifting eye for crane hook	○	○	○	○	○
Fork truck pockets	●	●	●	●	●
Fluorescent tube caddy	○	○	○	○	○
Tool tray (0.20 m x 0.46 m x 0.13 m)	○	○	○	○	○
Descent alarm	○	○	○	○	○
Emergency lowering control	○	○	○	○	○
Amber strobe light	○	○	○	○	○

Standard ● Option ○ Not Available —

¹ Includes 5 hour battery charger

² Applicable to battery powered DC models only

Deutschland

Tel: +49 (0) 421 693 500
JLG Deutschland GmbH
Max-Planck-Straße 21
D-27721 Ritterhude/Ihlpohl (Bei Bremen)

Italia

Tel: +39 02 9359 5210
JLG Industries (Italia) s.r.l.
Via Po.22
20010 Pregnana Milanese -MI-

Sverige

Tel: +46 (0) 8 506 59500
JLG Sverige AB
Enköpingsvägen 150
Box 704, SE-176 77 Järfälla

España

Tel: +34 93 772 47 00
JLG Ibérica, SL
Trapadella, 2
Pol. Ind. Castellbisbal Sur
08755 Castellbisbal (Barcelona)

Russia

Tel: +7 (495) 967 79 14
JLG Industries Inc.
Vashutinskoe shosse 24 b
Khimki, Moscow Region 141400
Russian Federation

United Kingdom

Tel: +44 (0) 161 654 1000
JLG Industries (United Kingdom) Limited
Bentley House, Bentley Avenue
Middleton, Greater Manchester
M24 2GP

France

Tel: +33 (0) 553 88 31 70
JLG France SAS
ZI Guillaume mon Amy
CS 30204 Fauillet
F-47400 Tonneins

Nederland

Tel: +31 (0) 23 565 5665
JLG EMEA BV
Polaris Avenue 63
2132 JH Hoofddorp
The Netherlands

België

Tel: +32 (0) 89 77 49 74
JLG Manufacturing Europe bvba
Oude Bunders 1034
Breitwaterstraat 12 a
B-3630 Maasmechelen Belgium

Romania

Tel: +40 (0) 269 803 974
JLG Manufacturing Central Europe SRL
A. Vlaicu nr. 41
551041 Medias

United Kingdom

Tel: +44 (0) 116 247 9882
JLG Industries Technology and
Development Centre
Bruntingthorpe Proving Ground
Bruntingthorpe Leicestershire, LE17 4QS

JLG Industries, Inc. is a leading designer and manufacturer of access equipment and complementary services and attachments.

JLG has manufacturing facilities in the United States, France, Romania, China and Belgium. Customers throughout Europe, Africa and the Middle East benefit from a network of dedicated sales and service operations designed to deliver the highest levels of support.

www.jlg.com **JLG is an Oshkosh Corporation company.**

