



FORTENS™

STRONG PARTNERS. TOUGH TRUCKS.

IC Counterbalanced Lift Trucks
H1.6-2.0FTS Fortens / Fortens Advance

1 600 – 2 000 kg



Fortens H1.6FT, H1.8FT, H2.0FTS

CHARACTERISTICS	1.1	Manufacturer	
	1.2	Model designation	
		Model - Manufacturer designation	
		Engine / transmission	
		Brake type	
	1.3	Power: battery, diesel, LPG, electric mains	
	1.4	Operation: manual, pedestrian, stand, seat, orderpicker	
	1.5	Load capacity	Q (kg)
	1.6	Load centre	c (mm)
1.8	Load distance	x (mm)	
1.9	Wheelbase	y (mm)	

HYSTER		HYSTER		HYSTER		HYSTER	
H1.6FT		H1.6FT		H1.8FT		H1.8FT	
Fortens		Fortens		Fortens		Fortens	
Yanmar 2.6L Powershift		Mazda 2.0L Powershift		Yanmar 2.6L Powershift		Mazda 2.0L Powershift	
Drum Brakes		Drum Brakes		Drum Brakes		Drum Brakes	
Diesel		LPG		Diesel		LPG	
Seat		Seat		Seat		Seat	
1 600		1 600		1 800		1 800	
500		500		500		500	
384		384		384		384	
1 385		1 385		1 385		1 385	

WEIGHTS	2.1	Unladen weight	kg
	2.2	Axle loading with load, front/rear	kg
	2.3	Axle loading without load, front/rear	kg

3 059		3 059		3 134		3 134	
3 856	565	3 856	565	4 190	509	4 190	509
1 521	1 538	1 521	1 538	1 506	1 628	1 506	1 628

WHEELS & TYRES	3.1	Tyres: L=pneumatic, V=solid, SE=pneumatic-shaped solid	
	3.2	Tyre size, front	
	3.3	Tyre size, rear	
	3.5	Number of wheels, front/rear (X = driven)	
	3.6	Track width, front	
	3.7	Track width, rear	

SE		SE		SE		SE	
6,50 x 10 - 10		6,50 x 10 - 10		6,50 x 10 - 10		6,50 x 10 - 10	
5,00 x 8		5,00 x 8		5,00 x 8		5,00 x 8	
2X	2	2X	2	2X	2	2X	2
890		890		890		890	
895		895		895		895	

DIMENSIONS	4.1	Mast tilt, $\alpha = \text{forward}/\beta = \text{back}$	degrees
	4.2	Height of mast, lowered	h_1 (mm)
	4.3	Free lift \uparrow	h_2 (mm)
	4.4	Lift height \uparrow	h_3 (mm)
	4.5	Height of mast, extended \uparrow	h_4 (mm)
	4.7	Overhead guard height \blacksquare	h_6 (mm)
	4.8	Seat height \circ	h_7 (mm)
	4.12	Towing coupling height	h_{10} (mm)
	4.19	Overall length	l_1 (mm)
	4.20	Length to face of forks	l_2 (mm)
	4.21	Overall width (Standard / Intermediate / Wide Tread)	b_1 (mm)
	4.22	Fork dimensions	s/e/l (mm)
	4.23	Fork carriage DIN 15173. Class, A/B	
	4.24	Fork carriage width \bullet	b_3 (mm)
	4.31	Ground clearance under mast, with load	m_1 (mm)
	4.32	Ground clearance, centre of wheelbase	m_2 (mm)
	4.33	Aisle width with pallets 1 000 mm x 1 200 mm wide \blacklozenge	Ast (mm)
	4.34	Aisle width with pallets 800 mm x 1 200 mm long \blacklozenge	Ast (mm)
	4.35	Outer turning radius	W_a (mm)
	4.36	Inner turning radius	b_{13} (mm)

6		5		6		5		6		5		6		5	
2 175		2 175		2 175		2 175		2 175		2 175		2 175		2 175	
100		100		100		100		100		100		100		100	
3 290		3 290		3 290		3 290		3 290		3 290		3 290		3 290	
3 905		3 905		3 905		3 905		3 905		3 905		3 905		3 905	
2 149		2 149		2 149		2 149		2 149		2 149		2 149		2 149	
1 044		1 044		1 044		1 044		1 044		1 044		1 044		1 044	
321		321		321		321		321		321		321		321	
3 236		3 236		3 236		3 236		3 236		3 236		3 236		3 236	
2 236		2 236		2 236		2 236		2 236		2 236		2 236		2 236	
1 072	1 112	1 242	1 072	1 112	1 242	1 072	1 112	1 242	1 072	1 112	1 242	1 072	1 112	1 242	
40	80	1 000	40	80	1 000	40	80	1 000	40	80	1 000	40	80	1 000	
II A		II A		II A		II A		II A		II A		II A		II A	
980		980		980		980		980		980		980		980	
110		110		110		110		110		110		110		110	
146		146		146		146		146		146		146		146	
3 645		3 645		3 645		3 645		3 645		3 645		3 645		3 645	
3 778		3 778		3 778		3 778		3 778		3 778		3 778		3 778	
1 955		1 955		1 955		1 955		1 955		1 955		1 955		1 955	
48		48		48		48		48		48		48		48	

PERFORMANCE	5.1	Travel speed with/without load	km/h
	5.2	Lifting speed with/without load	m/sec
	5.3	Lowering speed with/without load	m/sec
	5.5	Drawbar pull with/without load @ 1,6 km/h	N
	5.6	Maximum drawbar pull with/without load	N
	5.7	Gradeability with/without load @ 4,8 km/h \uparrow	%
	5.8	Maximum gradeability with/without load @ 1,6 km/h \uparrow	%
	5.10	Service brake	

20,5		20,9		20,5		20,9		20,5		20,9		20,5		20,9	
0,64		0,72		0,57		0,58		0,63		0,72		0,57		0,58	
0,51		0,47		0,51		0,47		0,51		0,47		0,51		0,47	
12 390		7 470		11 330		7 470		12 260		7 200		11 190		7 200	
14 470		7 470		13 210		7 470		14 320		7 200		13 070		7 200	
21,6		29,0		20,0		29,0		20,0		26,3		18,0		26,3	
31,0		29,0		28,3		29,0		28,2		26,3		25,5		26,3	
Hydraulic		Hydraulic		Hydraulic		Hydraulic		Hydraulic		Hydraulic		Hydraulic		Hydraulic	

ENGINE	7.1	Engine manufacturer/type	
	7.2	Engine output, in accordance with ISO 1585 / DIN 6271	kW
	7.3	Governed speed	rpm
	7.4	Number of cylinders/displacements	cm ³

Yanmar 4TNE92		Mazda FE		Yanmar 4TNE92		Mazda FE	
29.1		29.8		29.1		29.8	
2 400		2 400		2 400		2 400	
4	2 659	4	1 998	4	2 659	4	1 998

OTHER	8.1	Drive control	
	8.2	Working pressure for attachments	bar
	8.3	Oil flow for attachments \uparrow	l/min
	8.4	Average noise level at operator's ear (Lpaz) \diamond	dB (A)
		Guaranteed sound power 2001/14/EC (Lwaz)	dB
8.5	Towing coupling type		

Automatic		Automatic		Automatic		Automatic	
0-155		0-155		0-155		0-155	
69		58		69		58	
80		80		80		80	
104		102		104		102	
Pin		Pin		Pin		Pin	

Specification Data is based on VDI 2198

Equipment and weight:

Weights (line 2.1) are based on the following specifications:

Complete truck with 3 330 mm 2-stage limited free lift mast, standard carriage and 1 000 mm forks with e-hydraulics, overhead guard and standard pneumatic shaped solid drive and steer tyres.

HYSTER		HYSTER		
H2.0FTS		H2.0FTS		1.1
Fortens		Fortens		1.2
Yanmar 2.6L Powershift		Mazda 2.0L Powershift		
Drum Brakes		Drum Brakes		
Diesel		LPG		1.3
Seat		Seat		1.4
2 000		2 000		1.5
500		500		1.6
384		384		1.8
1 385		1 385		1.9

CHARACTERISTICS

3 294		3 294		
4 460	580	4 460	580	2.1
1 465	1 829	1 465	1 829	2.2
				2.3

WEIGHTS

SE		SE		
6,50 x 10 - 10		6,50 x 10 - 10		3.1
18,00 x 7 - 8		18,00 x 7 - 8		3.2
2X	2	2X	2	3.3
890		890		3.5
895		895		3.6
				3.7

WHEELS & TYRES

6		5		6		5		
2 175		2 175		2 175		2 175		4.1
100		100		100		100		4.2
3 290		3 290		3 290		3 290		4.3
3 905		3 905		3 905		3 905		4.4
2 149		2 149		2 149		2 149		4.5
1 044		1 044		1 044		1 044		4.7
321		321		321		321		4.8
3 268		3 268		3 268		3 268		4.12
2 268		2 268		2 268		2 268		4.19
1 072	1 112	-	-	1 072	1 112	-	-	4.20
40	100	1 000	1 000	40	100	1 000	1 000	4.21
II A		II A		II A		II A		4.22
980		980		980		980		4.23
110		110		110		110		4.24
146		146		146		146		4.31
3 675		3 675		3 675		3 675		4.32
3 808		3 808		3 808		3 808		4.33
1 985		1 985		1 985		1 985		4.34
48		48		48		48		4.35
								4.36

DIMENSIONS

20,5		20,9		20,5		20,9		
0,62		0,72		0,57		0,58		5.1
0,51		0,47		0,51		0,47		5.2
12 140		6 930		11 050		6 930		5.3
14 180		6 930		12 920		6 930		5.5
17,9		23,6		16,0		23,6		5.6
25,4		23,6		22,7		23,6		5.7
Hydraulic		Hydraulic		Hydraulic		Hydraulic		5.8
								5.10

PERFORMANCE

Yanmar 4TNE92		Mazda FE		
29.1		29.8		7.1
2 400		2 400		7.2
4		1 998		7.3
				7.4

ENGINE

Automatic		Automatic		
0-155		0-155		8.1
69		58		8.2
80		80		8.3
104		102		8.4
Pin		Pin		8.5

OTHER

Fortens Advance H1.6FT, H1.8FT, H2.0FTS

CHARACTERISTICS	1.1	Manufacturer	
	1.2	Model designation	
		Model - Manufacturer designation	
		Engine / transmission	
		Brake type	
	1.3	Power: battery, diesel, LPG, electric mains	
	1.4	Operation: manual, pedestrian, stand, seat, orderpicker	
	1.5	Load capacity	Q (kg)
	1.6	Load centre	c (mm)
1.8	Load distance	x (mm)	
1.9	Wheelbase	y (mm)	

WEIGHTS	2.1	Unladen weight	kg
	2.2	Axle loading with load, front/rear	kg
	2.3	Axle loading without load, front/rear	kg

WHEELS & TYRES	3.1	Tyres: L=pneumatic, V=solid, SE=pneumatic-shaped solid	
	3.2	Tyre size, front	
	3.3	Tyre size, rear	
	3.5	Number of wheels, front/rear (X = driven)	
	3.6	Track width, front	b ₁₀ (mm)
	3.7	Track width, rear	b ₁₁ (mm)

DIMENSIONS	4.1	Mast tilt, α = forward/β = back	degrees
	4.2	Height of mast, lowered	h ₁ (mm)
	4.3	Free lift †	h ₂ (mm)
	4.4	Lift height †	h ₃ (mm)
	4.5	Height of mast, extended †	h ₄ (mm)
	4.7	Overhead guard height ■	h ₆ (mm)
	4.8	Seat height ○	h ₇ (mm)
	4.12	Towing coupling height	h ₁₀ (mm)
	4.19	Overall length	l ₁ (mm)
	4.20	Length to face of forks	l ₂ (mm)
	4.21	Overall width (Standard / Intermediate / Wide Tread)	b ₁ (mm)
	4.22	Fork dimensions	s/e/l (mm)
	4.23	Fork carriage DIN 15173. Class, A/B	
	4.24	Fork carriage width ●	b ₃ (mm)
	4.31	Ground clearance under mast, with load	m ₁ (mm)
	4.32	Ground clearance, centre of wheelbase	m ₂ (mm)
	4.33	Aisle width with pallets 1 000 mm x 1 200 mm wide ◆	Ast (mm)
	4.34	Aisle width with pallets 800 mm x 1 200 mm long ◆	Ast (mm)
	4.35	Outer turning radius	W _a (mm)
4.36	Inner turning radius	b ₁₃ (mm)	

PERFORMANCE	5.1	Travel speed with/without load	km/h
	5.2	Lifting speed with/without load	m/sec
	5.3	Lowering speed with/without load	m/sec
	5.5	Drawbar pull with/without load @ 1,6 km/h	N
	5.6	Maximum drawbar pull with/without load	N
	5.7	Gradeability with/without load @ 4,8 km/h †	%
	5.8	Maximum gradeability with/without load @ 1,6 km/h †	%
	5.10	Service brake	

ENGINE	7.1	Engine manufacturer/type	
	7.2	Engine output, in accordance with ISO 1585 / DIN 6271	kW
	7.3	Governed speed	rpm
	7.4	Number of cylinders/displacements	cm ³

OTHER	8.1	Drive control	
	8.2	Working pressure for attachments	bar
	8.3	Oil flow for attachments †	l/min
	8.4	Average noise level at operator's ear (Lpaz) ◇	dB (A)
		Guaranteed sound power 2001/14/EC (Lwaz)	dB
8.5	Towing coupling type		

HYSTER		HYSTER		HYSTER		HYSTER	
H1.6FT		H1.6FT		H1.8FT		H1.8FT	
Fortens Advance		Fortens Advance		Fortens Advance		Fortens Advance	
Yanmar 2.6L DuraMatch		Mazda 2.0L DuraMatch		Yanmar 2.6L DuraMatch		Mazda 2.0L DuraMatch	
ADS Drum Brakes		ADS Drum Brakes		ADS Drum Brakes		ADS Drum Brakes	
Diesel		LPG		Diesel		LPG	
Seat		Seat		Seat		Seat	
1 600		1 600		1 800		1 800	
500		500		500		500	
384		384		384		384	
1 385		1 385		1 385		1 385	

3 059		3 059		3 134		3 134	
3 856	565	3 856	565	4 190	509	4 190	509
1 521	1 538	1 521	1 538	1 506	1 628	1 506	1 628

SE		SE		SE		SE	
6,50 x 10 - 10		6,50 x 10 - 10		6,50 x 10 - 10		6,50 x 10 - 10	
5,00 x 8		5,00 x 8		5,00 x 8		5,00 x 8	
2X	2	2X	2	2X	2	2X	2
890		890		890		890	
895		895		895		895	

6		5		6		5		6		5	
2 175		2 175		2 175		2 175		2 175		2 175	
100		100		100		100		100		100	
3 290		3 290		3 290		3 290		3 290		3 290	
3 905		3 905		3 905		3 905		3 905		3 905	
2 149		2 149		2 149		2 149		2 149		2 149	
1 044		1 044		1 044		1 044		1 044		1 044	
321		321		321		321		321		321	
3 236		3 236		3 236		3 236		3 236		3 236	
2 236		2 236		2 236		2 236		2 236		2 236	
1 072	1 112	1 242	1 072	1 112	1 242	1 072	1 112	1 242	1 072	1 112	1 242
40	80	1 000	40	80	1 000	40	80	1 000	40	80	1 000
II A		II A		II A		II A		II A		II A	
980		980		980		980		980		980	
110		110		110		110		110		110	
146		146		146		146		146		146	
3 645		3 645		3 645		3 645		3 645		3 645	
3 778		3 778		3 778		3 778		3 778		3 778	
1 955		1 955		1 955		1 955		1 955		1 955	
48		48		48		48		48		48	

20,5	20,9	20,5	20,9	20,5	20,9	20,5	20,9
0,64	0,72	0,57	0,58	0,63	0,72	0,57	0,58
0,51	0,47	0,51	0,47	0,51	0,47	0,51	0,47
12 390	7 470	11 330	7 470	12 260	7 200	11 190	7 200
14 470	7 470	13 210	7 470	14 320	7 200	13 070	7 200
21,6	29,0	20,0	29,0	20,0	26,3	18,0	26,3
31,0	29,0	28,3	29,0	28,2	26,3	25,5	26,3
Hydraulic		Hydraulic		Hydraulic		Hydraulic	

Yanmar 4TNE92		Mazda FE		Yanmar 4TNE92		Mazda FE	
29.1		29.8		29.1		29.8	
2 400		2 400		2 400		2 400	
4	2 659	4	1 998	4	2 659	4	1 998

Automatic		Automatic		Automatic		Automatic	
0-155		0-155		0-155		0-155	
69		58		69		58	
80		80		80		80	
104		102		104		102	
Pin		Pin		Pin		Pin	

Specification Data is based on VDI 2198

Equipment and weight:

Weights (line 2.1) are based on the following specifications:

Complete truck with 3 330 mm 2-stage limited free lift mast, standard carriage and 1 000 mm forks with e-hydraulics, overhead guard and standard pneumatic shaped solid drive and steer tyres.

HYSTER		HYSTER		
H2.0FTS		H2.0FTS		1.1
Fortens Advance		Fortens Advance		1.2
Yanmar 2.6L DuraMatch		Mazda 2.0L DuraMatch		
ADS Drum Brakes		ADS Drum Brakes		
Diesel		LPG		1.3
Seat		Seat		1.4
2 000		2 000		1.5
500		500		1.6
384		384		1.8
1 385		1 385		1.9

CHARACTERISTICS

3 294		3 294		
4 460	580	4 460	580	2.1
1 465	1 829	1 465	1 829	2.2
				2.3

WEIGHTS

SE		SE		
6,50 x 10 - 10		6,50 x 10 - 10		3.1
18,00 x 7 - 8		18,00 x 7 - 8		3.2
2X	2	2X	2	3.3
890		890		3.5
895		895		3.6
				3.7

WHEELS & TYRES

6		5		6		5		
2 175		2 175		2 175		2 175		4.1
100		100		100		100		4.2
3 290		3 290		3 290		3 290		4.3
3 905		3 905		3 905		3 905		4.4
2 149		2 149		2 149		2 149		4.5
1 044		1 044		1 044		1 044		4.7
321		321		321		321		4.8
3 268		3 268		3 268		3 268		4.12
2 268		2 268		2 268		2 268		4.19
1 072	1 112	-	-	1 072	1 112	-	-	4.20
40	100	1 000	1 000	40	100	1 000	1 000	4.21
40		40		40		40		4.22
II A		II A		II A		II A		4.23
980		980		980		980		4.24
110		110		110		110		4.31
146		146		146		146		4.32
3 675		3 675		3 675		3 675		4.33
3 808		3 808		3 808		3 808		4.34
1 985		1 985		1 985		1 985		4.35
48		48		48		48		4.36

DIMENSIONS

20,5		20,9		20,5		20,9		
0,62		0,72		0,57		0,58		5.1
0,51		0,47		0,51		0,47		5.2
12 140		6 930		11 050		6 930		5.3
14 180		6 930		12 920		6 930		5.5
17,9		23,6		16,0		23,6		5.6
25,4		23,6		22,7		23,6		5.7
Hydraulic		Hydraulic		Hydraulic		Hydraulic		5.8
Hydraulic		Hydraulic		Hydraulic		Hydraulic		5.10

PERFORMANCE

Yanmar 4TNE92		Mazda FE		
29.1		29.8		7.1
2 400		2 400		7.2
4		1 998		7.3
4		2 659		7.4

ENGINE

Automatic		Automatic		
0-155		0-155		8.1
69		58		8.2
80		80		8.3
104		102		8.4
Pin		Pin		8.5

OTHER

Mast and capacity information

Values shown are for standard equipment. When using non-standard equipment, these values may change. Please contact your Hyster dealer for information.

Masts H1.6-2.0FT

	Maximum fork height (mm)	Back tilt	Overall lowered height (mm)	Overall extended height (mm)	Free lift (top of forks) (mm)
2-Stage limited free lift	3 330	5°	2 175	4 555 ✦	140 ▽
	3 830	5°	2 425	5 055 ✦	140 ▽
	4 330	5°	2 775	5 555 ✦	140 ▽
2-Stage full free lift	3 215	5°	2 125	4 440 ✦	1 550 ▽
3-Stage full free lift	4 450	3°	2 025	5 670 ✦	1 455 ▽
	4 900	3°	2 175	6 120 ✦	1 605 ▽
	5 500	3°	2 425	6 720 ✦	1 855 ▽

H1.6-2.0FT - Capacity chart in kg @ 500 mm load centre

Pneumatic Shaped Solid Tyres						
Maximum fork height (mm)	Without sideshift			With integral sideshift		
	H1.6FT	H1.8FT	H2.0FTS	H1.6FT	H1.8FT	H2.0FTS
2-Stage limited free lift	3 330	1 600	1 800	2 000	1 600	1 750
	3 830	1 600	1 800	2 000	1 600	1 740
	4 330	1 600	1 740	1 940	1 600	1 680
2-Stage full free lift	3 215	1 600	1 800	2 000	1 600	1 760
3-Stage full free lift	4 450	1 570	1 740	1 910	1 570	1 680
	4 900	1 490	1 650	1 790 ✦	1 480	1 590
	5 500	1 330	1 500 ✦	1 520 ✦	1 320	1 450 ✦

H1.6-2.0FT - Capacity chart in kg @ 600 mm load centre

Pneumatic Shaped Solid Tyres						
Maximum fork height (mm)	Without sideshift			With integral sideshift		
	H1.6FT	H1.8FT	H2.0FTS	H1.6FT	H1.8FT	H2.0FTS
2-Stage limited free lift	3 330	1 560	1 670	1 880	1 480	1 780
	3 830	1 550	1 660	1 870	1 470	1 770
	4 330	1 550	1 600	1 810	1 460	1 720
2-Stage full free lift	3 215	1 550	1 680	1 870	1 470	1 780
3-Stage full free lift	4 450	1 500	1 600	1 790	1 410	1 700
	4 900	1 410	1 510	1 700 ✦	1 330	1 610
	5 500	1 290	1 380 ✦	1 520 ✦	1 220	1 480 ✦

H1.6-2.0FT - Capacity chart in kg @ 500 mm load centre

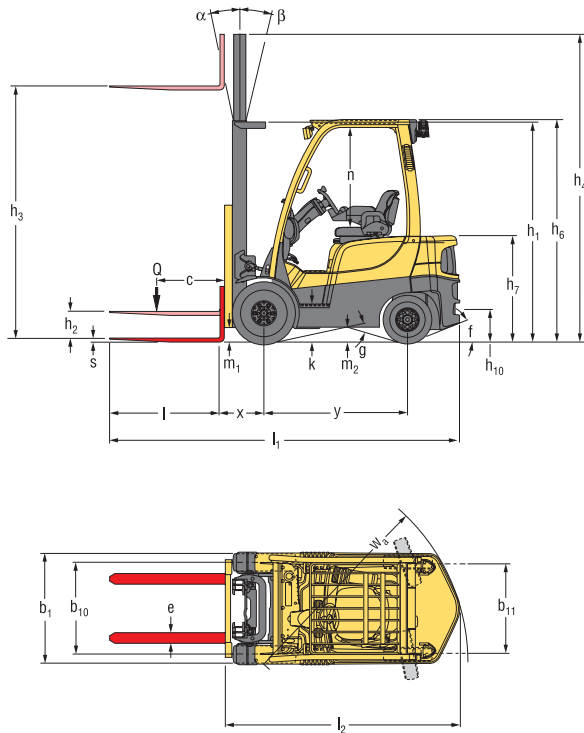
Michelin XZM (Radial) Tyres						
Maximum fork height (mm)	Without sideshift			With integral sideshift		
	H1.6FT	H1.8FT	H2.0FTS	H1.6FT	H1.8FT	H2.0FTS
2-Stage limited free lift	3 330	1 600	1 800	2 000	1 600	1 750
	3 830	1 600	1 800	2 000	1 600	1 740
	4 330	1 600	1 740	1 940 ✦	1 600	1 680
2-Stage full free lift	3 215	1 600	1 800	2 000	1 600	1 760
3-Stage full free lift	4 450	1 570 ✦	1 680 ✦	1 690 ✦	1 570 ✦	1 670 ✦
	4 900	1 490 ◐	1 650 ◐	1 380 ✦	1 480 ◐	1 580 ◐
	5 500	1 300 ◐	1 320 ◐	1 040 ✦	1 280 ◐	1 290 ◐

H1.6-2.0FT - Capacity chart in kg @ 600 mm load centre

Michelin XZM (Radial) Tyres						
Maximum fork height (mm)	Without sideshift			With integral sideshift		
	H1.6FT	H1.8FT	H2.0FTS	H1.6FT	H1.8FT	H2.0FTS
2-Stage limited free lift	3 330	1 560	1 670	1 880	1 480	1 780
	3 830	1 550	1 660	1 870	1 470	1 770
	4 330	1 550	1 600	1 810 ✦	1 460	1 520
2-Stage full free lift	3 215	1 550	1 680	1 870	1 470	1 780 ✦
3-Stage full free lift	4 450	1 500 ✦	1 600 ✦	1 680 ✦	1 410 ✦	1 510 ✦
	4 900	1 410 ◐	1 510 ◐	1 380 ✦	1 330 ◐	1 430 ◐
	5 500	1 280 ◐	1 320 ◐	1 040 ✦	1 210 ◐	1 290 ◐

Note: To calculate truck capacities with alternative truck specifications to the ones shown in the above tables, please use the Hy-Rater software. The rated capacities shown are for masts in a vertical position on trucks equipped with standard or sideshift carriage, and nominal length forks. Masts above the maximum fork heights shown in the mast table are classified as high lift, and depending on the tyre/tread configuration may require reduced capacity, restricted back tilt or wide tread.

Truck dimensions



= Centre of gravity of unladen truck

$A_{st} = W_a + x + l_6 + a$ (see lines 4.33 & 4.34)

a = Minimum operating clearance

(V.D.I. standard = 200 mm BITA recommendation = 300 mm)

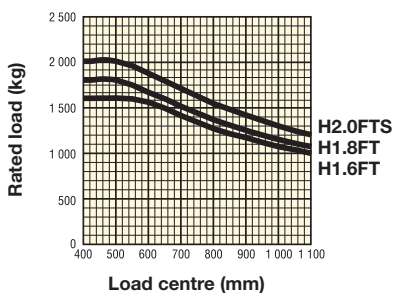
l_6 = Load length

Model

Dimensions (mm)

	H1.6FT	H1.8FT	H2.0FTS
f	42%	42%	39%
g	25°	25°	25°
k	371	371	371
n	1 068	1 080	1 068

Rated capacities



Load centre

Distance from front of forks to centre of gravity of load.

Rated load

Based on vertical masts up to 3 830 mm.

NOTE:

Specifications are affected by the condition of the vehicle and how it is equipped, as well as the nature and condition of the operating area. If these specifications are critical, the proposed application should be discussed with your dealer.

- ¶ Bottom of forks
 - ✦ Without load backrest
 - h_6 subject to +/- 5 mm tolerance
 - Full-suspension seat in depressed position
 - Subtract 32 mm without load backrest
 - ◆ Stacking aisle width (lines 4.33 & 4.34) are based on the V.D.I. standard calculation as shown on illustration. The British Industrial Truck Association recommends the addition of 100 mm to the total clearance (dimension a) for extra operating margin at the rear of the truck.
 - † Gradeability figures (lines 5.7 & 5.8) are provided for comparison of tractive performance, but are not intended to endorse the operation of the vehicle on the stated inclines. Follow instructions in the operating manual regarding operation on inclines.
 - ⊞ Variable
 - ◇ Measured according to the test cycles and based on the weighting values contained in EN12053
 - ☎ Consult your Hyster lift truck dealer
- Mast tables:**
- ❖ With load backrest
 - ▽ Without load backrest
 - ◐ Wide tread or Dual Drive Wheels required
 - * Intermediate Tread Width Drive Tyres must be specified

Notice

Care must be exercised when handling elevated loads. When the carriage and/or load is elevated, truck stability is reduced. It is important that mast tilt in either direction be kept to a minimum when loads are elevated. Operators must be trained and adhere to the instructions contained in the Operating Manual.

Hyster products are subject to change without notice. Lift trucks illustrated may feature optional equipment.



This truck conforms to the current EU requirements.

Product Packages

The Hyster Fortens™ range been designed to match the vast range of application requirements and business objectives that customers demand.

The H1.6-2.0FTS Series is available in several truck packages, with multiple powertrain combinations to choose from, to best match operational demands. Each configuration offers improved efficiency, advanced dependability, lower cost of ownership and simple serviceability.

Model / Bundle			
H1.6FT			
DIESEL	Engine	Transmission	Brakes
Fortens	Yanmar 2.6l	Powershift Transmission 1 speed	Drum
Fortens Advance	Yanmar 2.6l	DuraMatch™ Electronic 1 speed	ADS Drum
Model / Bundle			
H1.8FT			
DIESEL	Engine	Transmission	Brakes
Fortens	Yanmar 2.6l	Powershift Transmission 1 speed	Drum
Fortens Advance	Yanmar 2.6l	DuraMatch™ Electronic 1 speed	ADS Drum
Model / Bundle			
H2.0FTS			
DIESEL	Engine	Transmission	Brakes
Fortens	Yanmar 2.6l	Powershift Transmission 1 speed	Drum
Fortens Advance	Yanmar 2.6l	DuraMatch™ Electronic 1 speed	ADS Drum

Model / Bundle			
H1.6FT			
LPG	Engine	Transmission	Brakes
Fortens	Mazda 2.0l	Powershift Transmission 1 speed	Drum
Fortens Advance	Mazda 2.0l	DuraMatch™ Electronic 1 speed	ADS Drum
Model / Bundle			
H1.8FT			
LPG	Engine	Transmission	Brakes
Fortens	Mazda 2.0l	Powershift Transmission 1 speed	Drum
Fortens Advance	Mazda 2.0l	DuraMatch™ Electronic 1 speed	ADS Drum
Model / Bundle			
H2.0FTS			
LPG	Engine	Transmission	Brakes
Fortens	Mazda 2.0l	Powershift Transmission 1 speed	Drum
Fortens Advance	Mazda 2.0l	DuraMatch™ Electronic 1 speed	ADS Drum

Please refer to the Price List for full option configurations.

Product Features

The Standard Fortens model features an Electronic Powershift Transmission.

The Fortens Advance models are available with the electronically controlled **DuraMatch™ transmission**, providing:

- **Auto Deceleration System** automatically slows the truck when the accelerator pedal is released, which significantly extends brake life. This feature is programmable through the dash display, to match application needs from delicate to more aggressive settings for maximum productivity.
- **Controlled Power Reversal** controls direction changes through the transmission, virtually eliminating tyre spin and significantly increasing tyre life.
- **Controlled Roll-Back on Ramp**; the transmission controls the rate of descent of the truck on a ramp, when the brake and throttle pedal are released, to provide maximum control on a grade and reduce driver fatigue.

The transmissions are compatible with 2 available aluminium core radiators and a superior counterweight tunnel design coupled with a "pusher" type fan, to provide the industry's best cooling.

All powertrains are controlled, protected and managed by The **Pacesetter VSM™** industrial onboard computer featuring a CANbus communications network.

This system permits adjustment and optimisation of the truck's performance, in addition to monitoring key functions. It enables quick, easy diagnostics, minimizing repair downtime and unnecessary parts swapping.

Hassle-Free Hydraulic systems, featuring Leak-free O-ring face seal fittings reduce leaks for enhanced reliability.

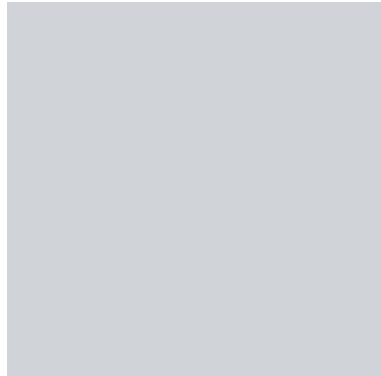
Non-mechanical, Hall-Effect sensors and switches have been fitted and are designed to outlast the life of the truck.

The operator compartment features class-leading **Ergonomics** for maximum driver comfort and productivity.

- Operator space is optimised, thanks to a new overhead guard design and significantly more floor space.
- The Easy-to-use 3-point entry design of the operator compartment has an open non-slip step with a height of just 37.1cm.
- The isolated drivetrain minimises the effect of powertrain vibration.
- The adjustable armrest that accompanies the TouchPoint™ or TouchControl™ E-hydraulic configurations moves with the seat and telescopes forward.
- The Rear grab handle with horn button facilitates reverse driving.
- An infinitely adjustable steering column, 30cm diameter steering wheel with spinner knob and full-suspension seat enhance driver comfort.

The Hyster Fortens is the fastest and easiest lift truck to **Service**.

- Complete cowl-to-counterweight service access and simplified layout of wiring and hydraulics offers greater access to components, which in turn decreases service time for unscheduled repairs and regular maintenance.
- Fast, colour-coded daily checks and diagnostic systems can be managed via the dash display.
- An Engine coolant change and Hydraulic oil change interval of 4 000 hours also contributes to reduced downtime.



**Strong Partners, Tough Trucks,
for Demanding Operations Everywhere.**

Hyster supplies a complete product range, including Warehouse trucks, IC and Electric Counterbalanced trucks, Container Handlers and Reach Stackers.

Hyster is committed to being much more than a lift truck supplier. Our aim is to offer a complete partnership capable of responding to the full spectrum of materials handling issues:

Whether you need professional consultancy on your fleet management, fully qualified service support, or reliable parts supply, you can depend on Hyster.

Our network of highly trained dealers provides expert, responsive local support. They can offer cost-effective finance packages and introduce effectively managed maintenance programmes to ensure that you get the best possible value. Our business is dealing with your materials handling needs so you can focus on the success of your business today and in the future.



Hyster Europe, Flagship House, Reading Road North, Fleet, Hants GU51 4WD, England.


Tel: +44 (0) 1252 810261

Fax: +44 (0) 1252 770702

Email: info@hyster.co.uk

<http://www.hyster.co.uk>

A division of NACCO Materials Handling Limited.

Hyster®, **HYSTER**®, Vista® and Monotrol® are registered trademarks of Hyster Company in the United States and in certain other countries. ™, Fortens™, Pacesetter VSM™, DuraMatch™, DuraMatch Plus™, TouchPoint™, TouchControl™, EZXchange & HSM™ are trademarks of Hyster Company in the United States and in certain other countries.

