

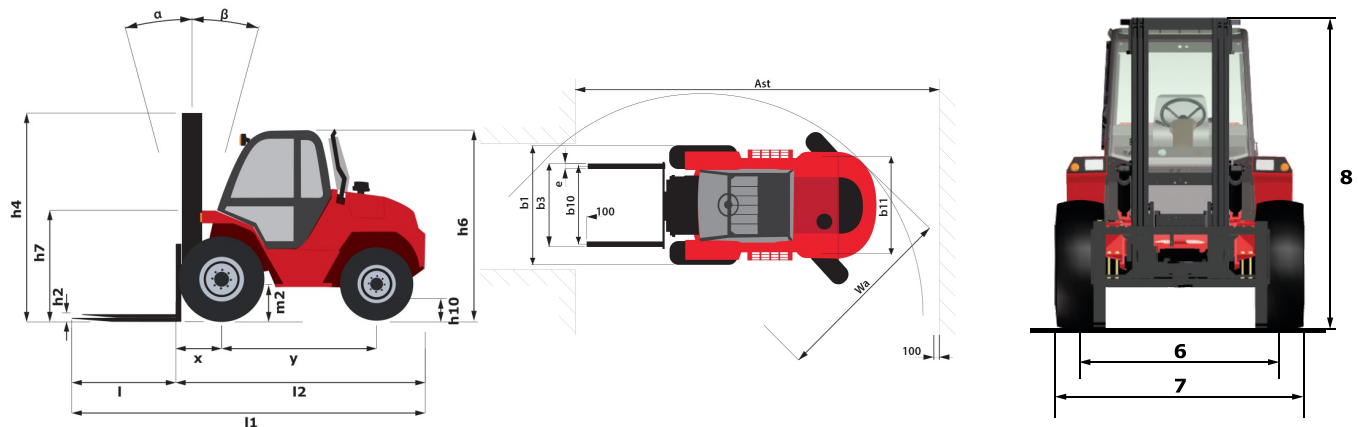
Technický list :

M 50-4



Technical characteristics			Metrické miery	Britské miery
1.1	Manufacturer		Manitou	Manitou
1.2	Model Name		M 50-4	M 50-4
1.3	Power source		Diesel	Diesel
1.4	Operator type		Seated	Seated
1.5	Max. capacity	Q	5000 kg	11023 lbs
1.6	Load centre of gravity	c	600 mm	23.622 in
1.8	Load distance, centre of drive axle to fork	x	773 mm	30.433 in
1.9	Wheelbase	y	2120 mm	83.465 in
Weight				
2.1	Service weight		8325 kg	18353 lbs
2.2	Weight on front axle (laden) / rear axle (laden)		11520 kg / 1805 kg	25397 lbs / 3979 lbs
2.3	Weight on front axle (Unladen) / rear axle (Unladen)		3285 kg / 5040 kg	7242 lbs / 11111 lbs
Wheels				
3.1	Tyres type		Pneumatic	Pneumatic
3.2	Dimensions of front wheels		18-22,5 MPT06	18-22,5 MPT06
3.3	Dimensions of rear wheels		340/80 R18 XMCL	340/80 R18 XMCL
3.5	Number of front wheels / rear wheels		2 / 2	2 / 2
3.5.2	Number of drive wheels		4	4
3.6	Front wheel gauge	b10	1620 mm	63.78 in
3.7	Rear wheel gauge	b11	1740 mm	68.504 in
Dimensions				
4.1	Tilt of Mast Forward (deg) / Backward (deg)	α / β	15 / 15	15 / 15
4.7	Height of overhead guard (cabin)	h6	1500 mm	59.055 in
4.7	Overall height of standard overhead guard	h6	2500 mm	98.425 in
4.8	Seat height/stand height	h7	1400 mm	55.118 in
4.12	Height of towing bar (coupling height)	h10	760 mm	29.921 in
4.19	Overall length	l1	4948 mm	16233 ft 7 in
4.20	Length to face of forks	l2	3748 mm	147.559 in
4.21	Overall width	b1	2080 mm	81.89 in
4.22	Forks section / width / length	s / e / l	60 mm x 150 mm / 1200 mm	2.362 in x 5.906 in / 47.244 in
4.24	Fork carriage width	b3	1670 mm	65.748 in
4.31	Ground clearance below mast	m1	295 mm	11.614 in
4.32	Ground clearance at centre of wheelbase	m2	380 mm	1246 ft 9 in
4.33	Aisle width for 1000 x 1200 pallet widthways	Ast	6812 mm	268.189 in
4.34	Aisle width for 800 x 1200 pallet lengthways	Ast	6812 mm	268.189 in
4.35	Turning radius	Wa	4640 mm	182.677 in
4.36	Internal turning radius (over tyres)	b13	1650 mm	64.961 in
Performances				
5.1	Travel speed (laden / unladen)		10 km/h / 24 km/h	6.2 mph / 14.9 mph
5.2	Lifting speed (laden / unladen)		0.4 m/s / 0.4 m/s	1.31 ft/s / 1.31 ft/s
5.3	Lowering speed (laden / unladen)		0.4 m/s / 0.3 m/s	1.31 ft/s / 0.98 ft/s
5.5	Drawbar pull (Laden)		1020 daN	1020 daN
5.10	Service brake		Hydraulic	Hydraulic
Engine				
7.1	Engine brand / model		Perkins / 854F-E34T WF	Perkins / 854F-E34T WF
7.2	Engine power according to ISO 1585		55 kW	55 kW
7.3	Rated speed		2200 rpm	2200 rpm
7.4	Number of cylinders		4	4
7.5	Fuel consumption according to VDI cycle		6.9 l/h	6.9 l/h
Miscellaneous				
8.2	Working hydraulic pressure for attachments		230 Bar	16 PSI
8.3	Oil flow rate for attachments		97 l/min	97 l/min
8.4	Measured/guaranteed mean noise level at the ear of the operator		< 76 dB(A)	< 76 dB(A)

Nákres rozmerov



Vlastnosti zdvíhacieho zariadenia a reziduálnych kapacít

Full Visibility Duplex		FVD 30	FVD 33	FVD 35	FVD 37	FVD 40	FVD 45	FVD 50
h1 - Height mast lowered *	mm	2560	2710	2810	2910	3060	3305	3560
h2 - Free lift	mm	0	0	0	0	0	0	0
h3 - Lifting Height	mm	3000	3300	3500	3700	4000	4500	5000
h4 - Height mast extended *	mm	4115	4415	4615	4815	5115	5615	6115
α / β - Mast inclination (front / rear)	°	15 / 15	15 / 15	15 / 15	15 / 15	15 / 15	15 / 15	15 / 15
Residual capacity at max height	kg	5000	5000	5000	5000	5000	5000	4000
Residual capacity without attachment (Industrial load chart)	kg	5000	5000	5000	5000	5000	5000	4000
Residual capacity with integrated side shift (Industrial load chart)	kg	4700	4700	4700	4700	4700	4700	3600

Free Lift Triplex		FLT 37	FLT 40	FLT 43	FLT 45	FLT 47	FLT 50	FLT 55	FLT 60
h1 - Height mast lowered *	mm	2310	2410	2510	2585	2645	2760	2910	3085
h2 - Free lift	mm	1265	1365	1465	1540	1600	1715	1865	2040
h3 - Lifting Height	mm	3700	4000	4300	4500	4700	5000	5500	6000
h4 - Height mast extended *	mm	4805	5105	5405	5605	5806	6105	6605	7105
α / β - Mast inclination (front / rear)	°	15 / 15	15 / 15	15 / 15	15 / 15	15 / 15	15 / 15	15 / 15	15 / 15
Residual capacity at max height	kg	5000	5000	4700	4600	4300	4450	4600	4450
Residual capacity without attachment (Industrial load chart)	kg	5000	5000	4700	4600	4300	4450	4600	4450
Residual capacity with integrated side shift (Industrial load chart)	kg	4500	4500	4000	3600	3500	2000	1800	900



Siège Social
430 rue de l'Aubinière - 44150 Ancenis Cedex - France
Tel: +33(0)2 40 09 10 11 - Fax: +33 (0)2 40 09 10 97
www.manitou.com



Táto príručka opisuje verzie produktov spoločnosti Manitou a možnosti ich konfigurácie. Na produkty spoločnosti Manitou je možné namontovať rôzne vybavenie. Vybavenie uvedené v tejto príručke môže byť štandardné, voliteľné alebo nemusí byť k dispozícii, a to v závislosti od verzie. Spoločnosť Manitou si vyhradzuje právo zmeniť uvedené technické údaje bez predchádzajúceho upozornenia. Pre viac informácií kontaktujte svojho predajcu spoločnosti Manitou. Nezáväzný dokument. Zoznam technických údajov nie je úplný. Logá a vizuálne identifikačná značka spoločnosti sú vlastníctvom spoločnosti Manitou a nemôžu sa používať bez povolenia. Všetky práva vyhradené. Fotografie a diagramy uvedené v tejto príručke slúžia len na informačné účely.

MANITOU BF SA – spoločnosť s ručením obmedzeným so správnu radou – podielový kapitál: 39 668 399 EUR – 857 802 508 RCS Nantes