

CR 1

The CR 1 provides a comfortable hydraulic control, to reverse machine direction plus many other distinctive features that make it the ideal entry into the Weber MT product line for rental machinery fleet owners and professional users.

With a working width of 400 mm (16"), its centrifugal force of 20 kN (4500 lbs) and compaction depth down to 30 cm (12") (according to the type of soil), the CR 1 is a versatile machine which delivers high working speeds for superior performance and increased efficiency. The CR 1 can be equipped with gasoline or diesel engines.



CR 1 R



Advantages

- ▶ Forward and reverse travel.
- ▶ Infinitely variable hydraulic control for precise work even under adverse conditions.
- ▶ Robust protection frame to prevent the engine from getting damaged. Diesel version with engine guard.
- ▶ Low-maintenance design due to self-adjusting centrifugal clutch.
- ▶ Quick loading, also by means of fork lift trucks, due to large, fixed lifting lug.

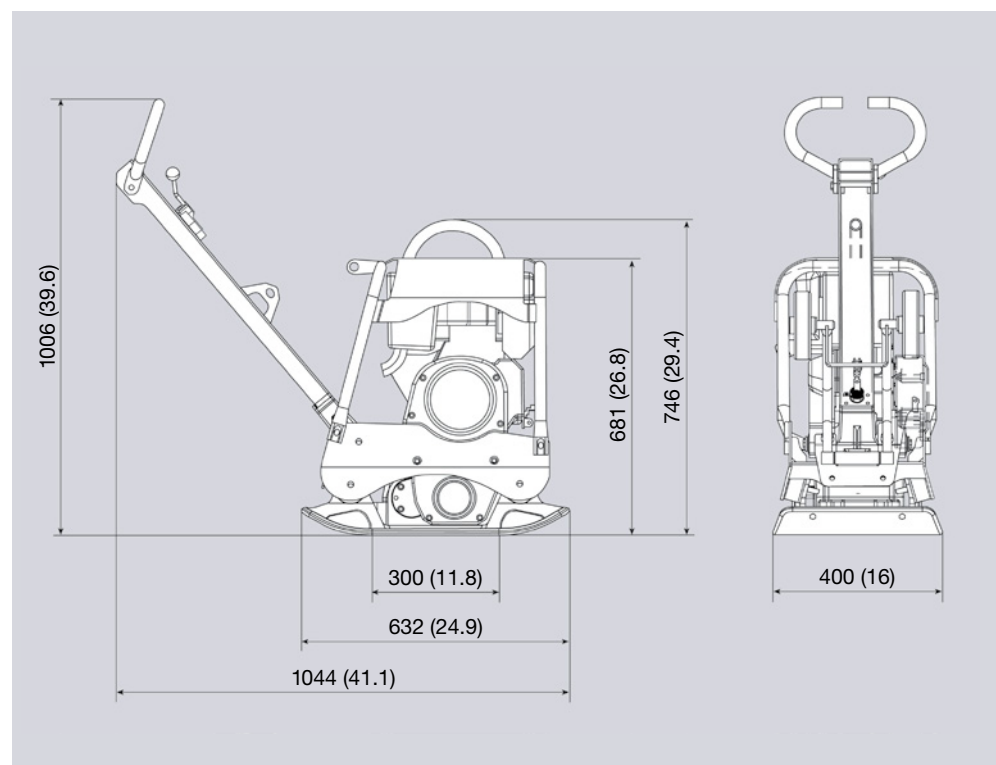
Available optional extras

Polyurethane pad, wheel kit.

Technical data

Type		CR 1	CR 1 R	CR 1 Hd
Operating weight to CECE	kg (lbs)	118 (260)	104 (229)	103 (227)
Centrifugal force	kN (lbs)	20 (4500)	20 (4500)	20 (4500)
Frequency	Hz (r.p.m.)	100 (6000)	100 (6000)	100 (6000)
Operating width	mm (in.)	400 (16)	400 (16)	400 (16)
Engine manufacturer		Lombardini 15 LD 225	Robin-Subaru EX 17	Honda GX 160
Engine type		Diesel	4-stroke, gasoline	4-stroke, gasoline
Engine power output, max.	kW (HP)	3.5 (4.8)	4.2 (5.7)	3.6 (4.9)
Power output at operating speed	kW (HP) at r.p.m.	3.2 (4.4) at 3350	3.1 (4.2) at 3350	3.1 (4.2) at 3350
Working speed	m/min (ft/min)	0-20 (0-66)	0-20 (0-66)	0-20 (0-66)

We reserve the right to amend the specifications without prior notice.



Dimensions in mm (inch).

